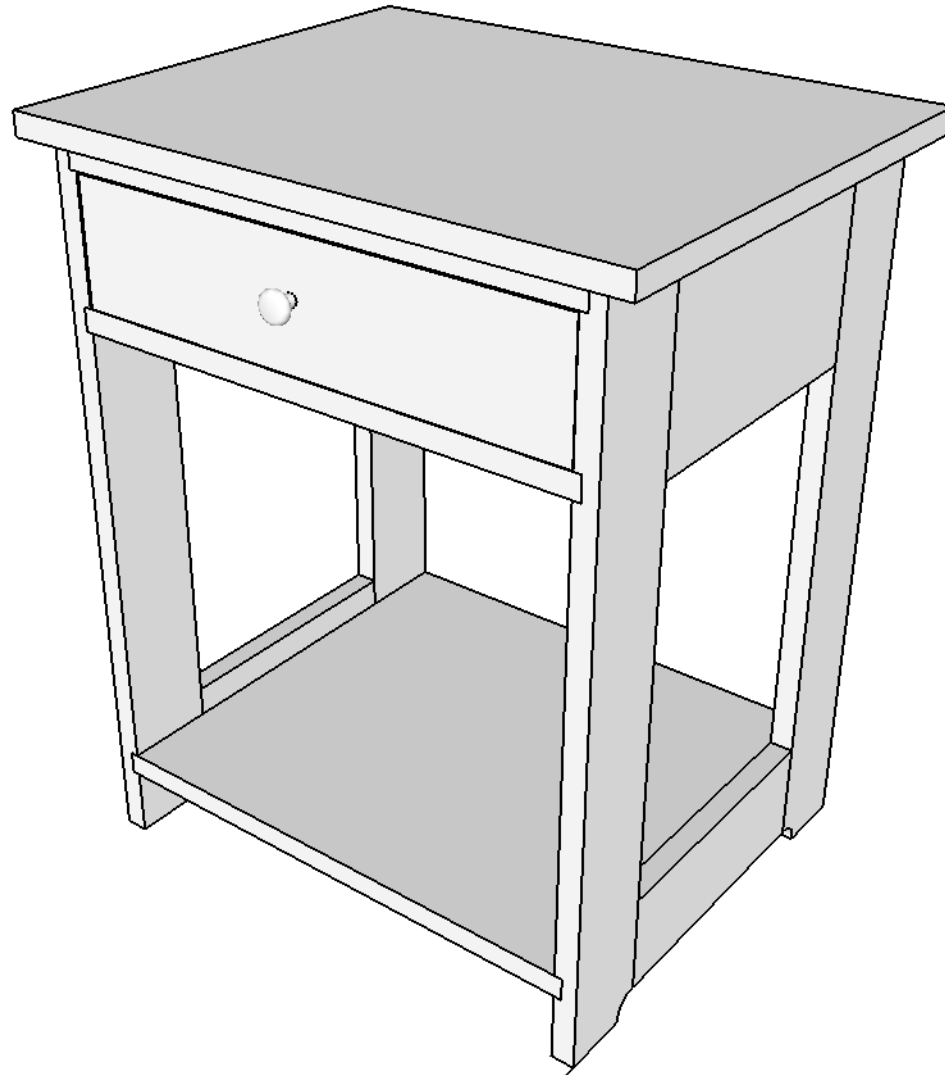


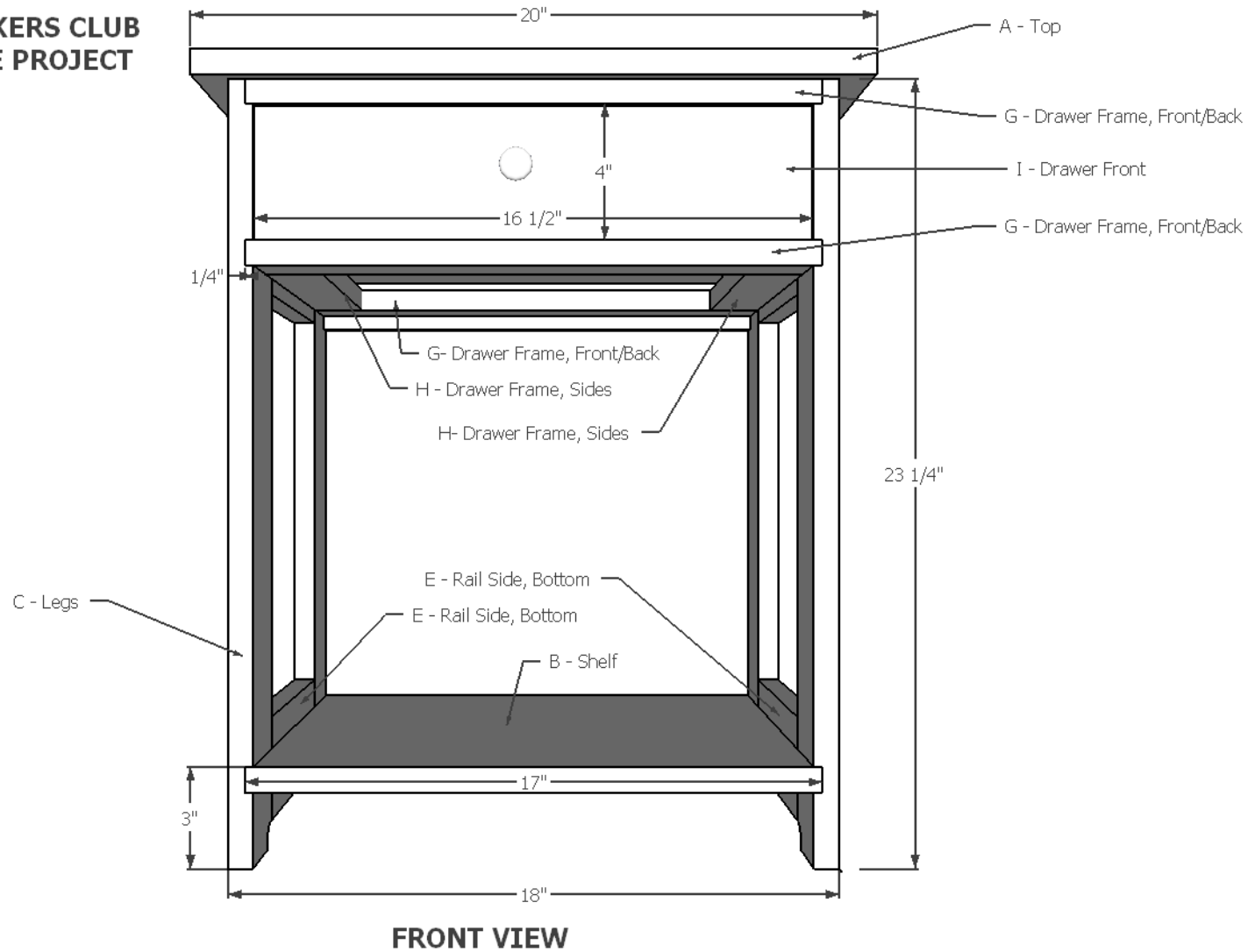
**BATON ROUGE WOODWORKERS CLUB
2014 COMMUNITY SERVICE PROJECT
NIGHT STAND**



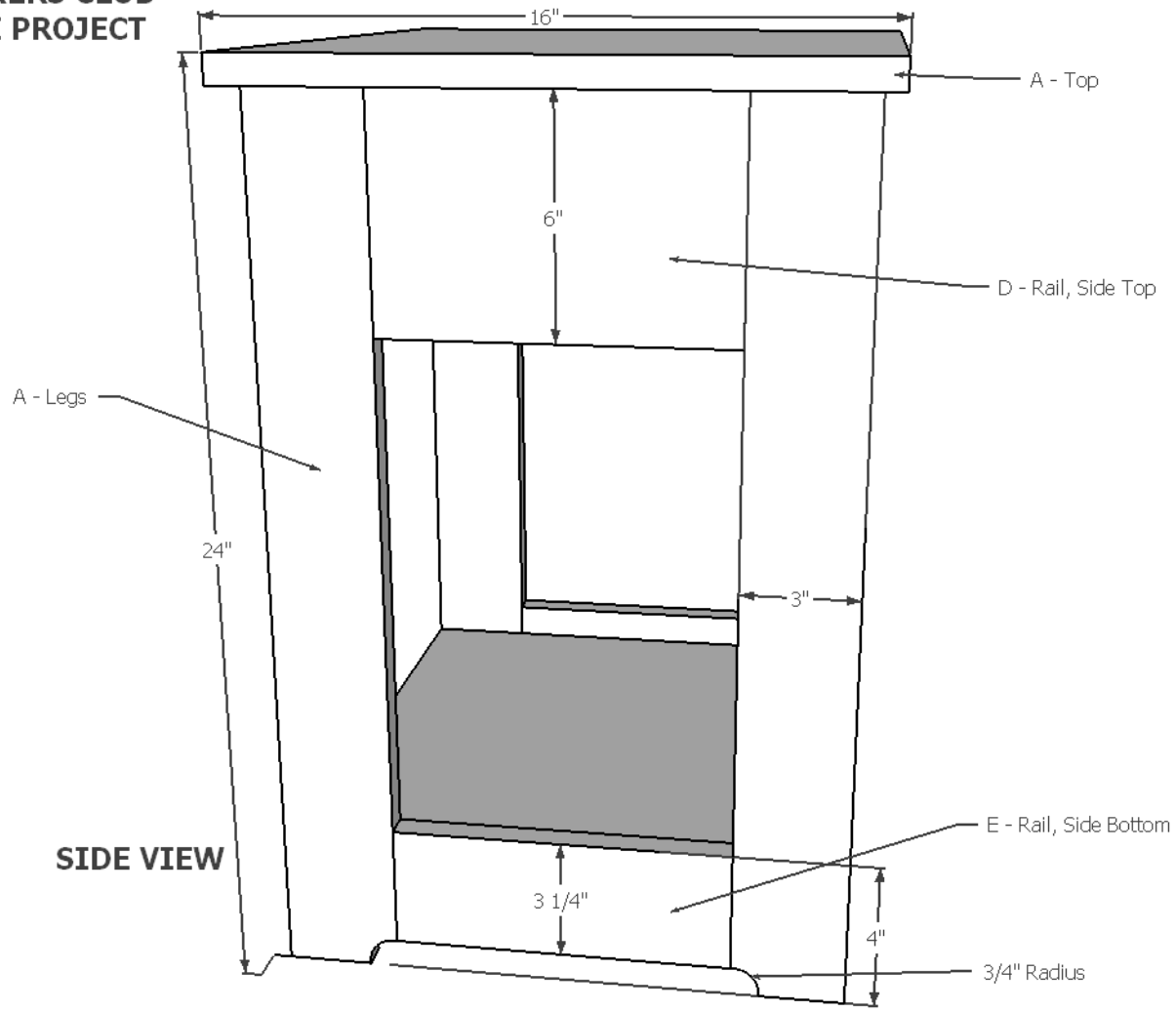
**BATON ROUGE WOODWORKERS CLUB
2014 COMMUNITY SERVICE PROJECT
NIGHT STAND**

CUT LIST							
Part	Description	Qty	Wood	Thickness	Width	Length	Notes
A	Top	1	Hardwood	3/4	16	20	
B	Shelf	1	Hardwood	3/4	15	17	
C	Legs	4	Hardwood	3/4	3	23 1/4	
D	Rail, Side Top	2	Hardwood	3/4	6	9	Add 3/4" to Length if using M&T joinery
E	Rail, Side Bottom	2	Hardwood	3/4	3 1/4	9	Add 3/4" to Length if using M&T joinery
F	Rail, Back	1	Hardwood	3/4	6	16 1/2	Add 3/4" to Length if using M&T joinery
G	Drawer Frame, Front/Back	4	Hardwood	3/4	2	17	
H	Drawer Frame, Sides	4	Hardwood	3/4	2	10 1/4	
I	Drawer Front	1	Hardwood	3/4	3 15/16	16 7/16	Dimensions can change based on joinery
J	Drawer Box, Back	1	Hardwood	1/2	3 15/16	15 7/16	Dimensions can change based on joinery
K	Drawer Box, Sides	2	Hardwood	1/2	3 15/16	13	Dimensions can change based on joinery
L	Drawer Box, Bottom	1	Plywood	1/4	12 7/16	15 7/8	

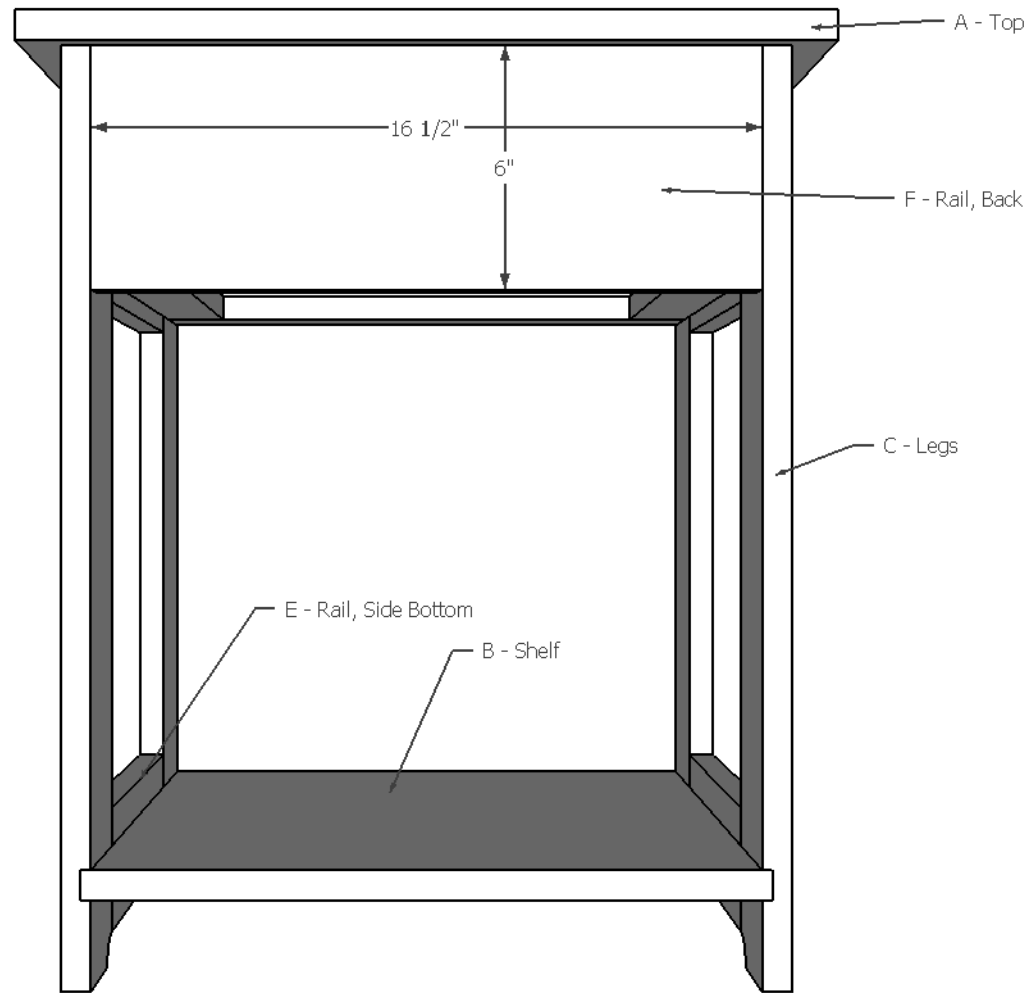
**BATON ROUGE WOODWORKERS CLUB
2014 COMMUNITY SERVICE PROJECT
NIGHT STAND**



**BATON ROUGE WOODWORKERS CLUB
2014 COMMUNITY SERVICE PROJECT
NIGHT STAND**

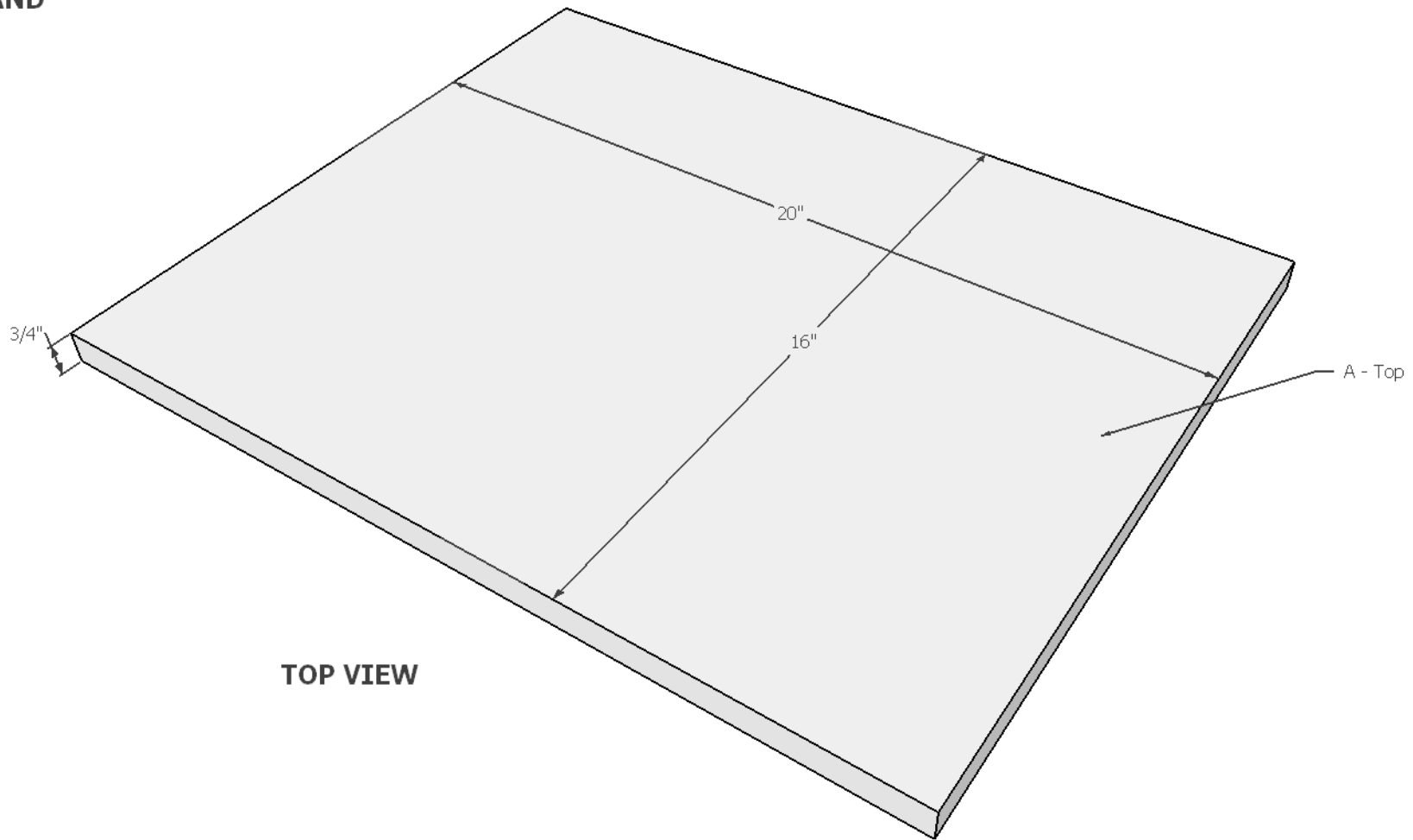


**BATON ROUGE WOODWORKERS CLUB
2014 COMMUNITY SERVICE PROJECT
NIGHT STAND**



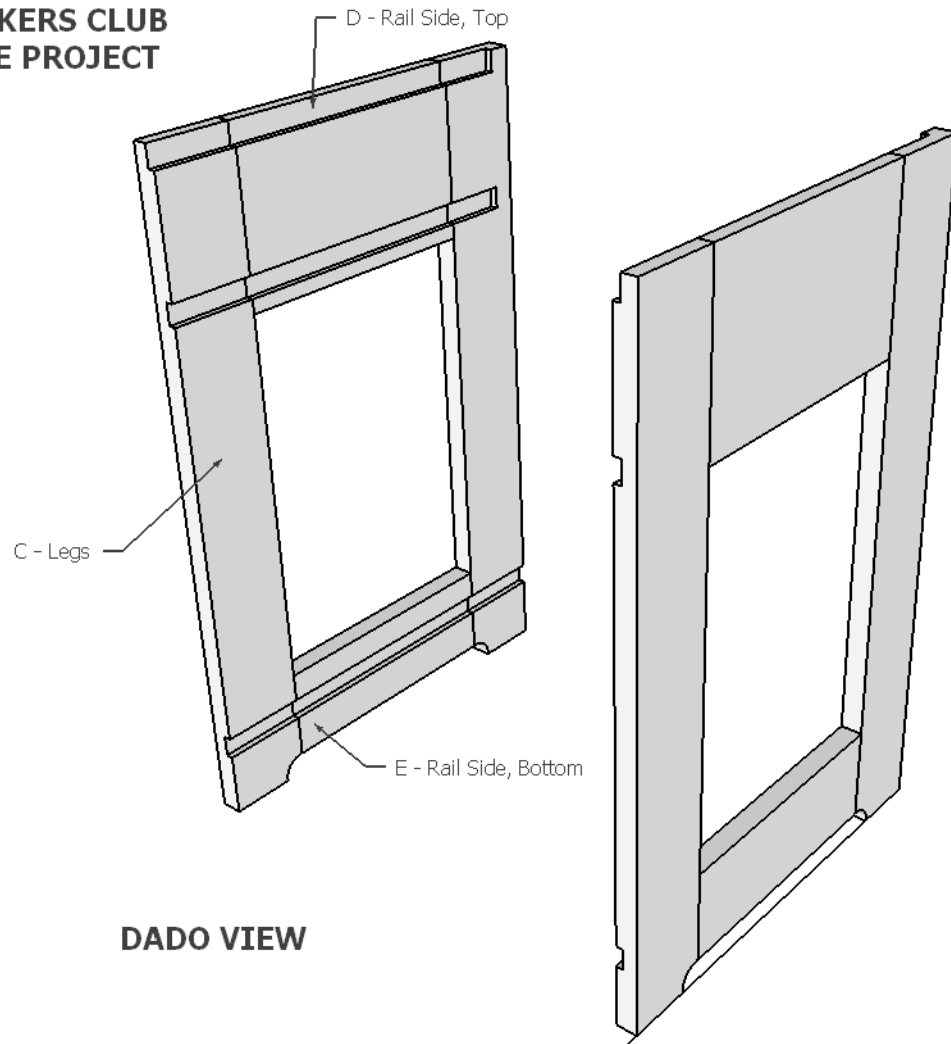
REAR VIEW

**BATON ROUGE WOODWORKERS CLUB
2014 COMMUNITY SERVICE PROJECT
NIGHT STAND**



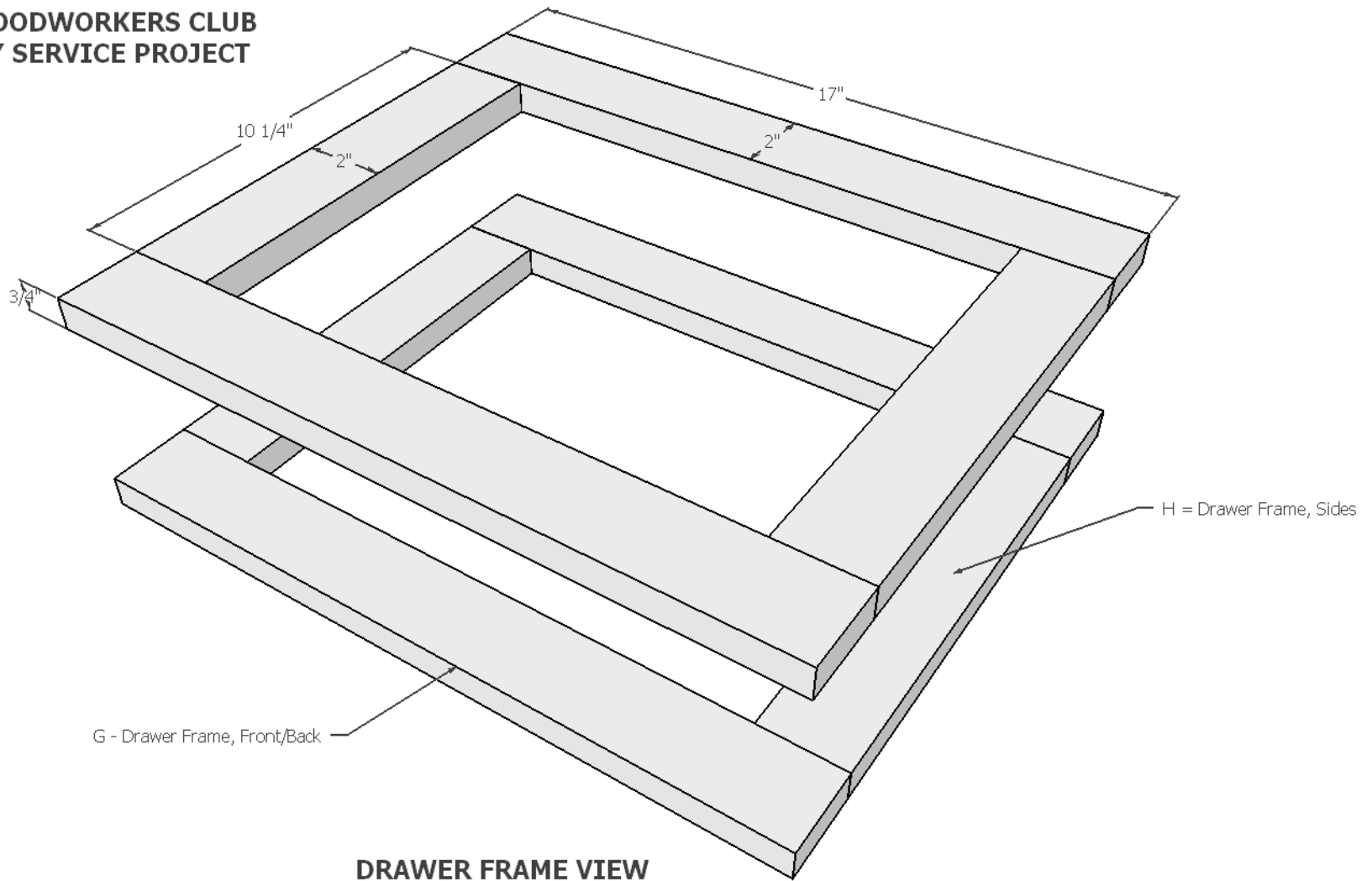
TOP VIEW

**BATON ROUGE WOODWORKERS CLUB
2014 COMMUNITY SERVICE PROJECT
NIGHT STAND**

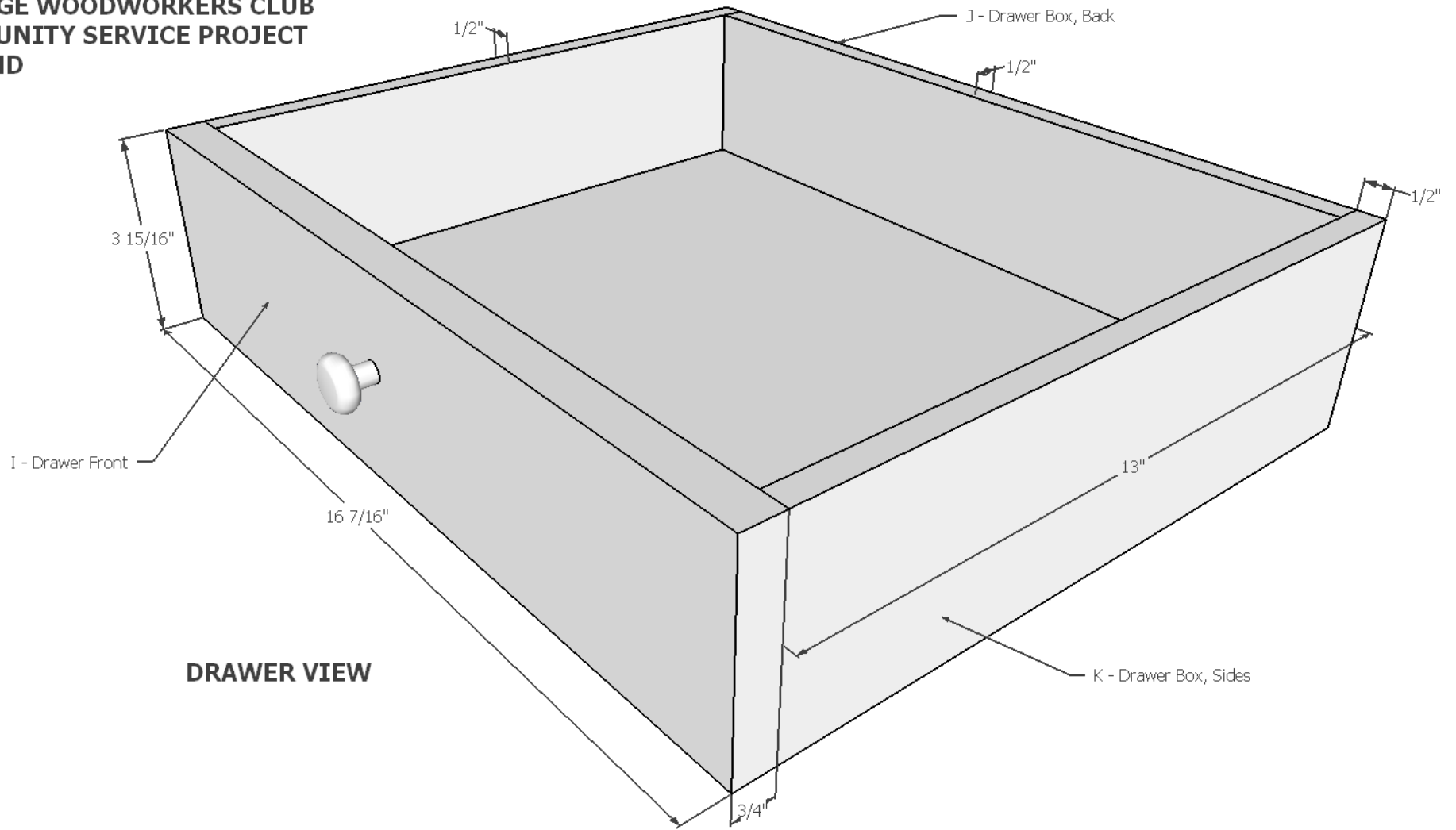


DADO VIEW

**BATON ROUGE WOODWORKERS CLUB
2014 COMMUNITY SERVICE PROJECT
NIGHT STAND**

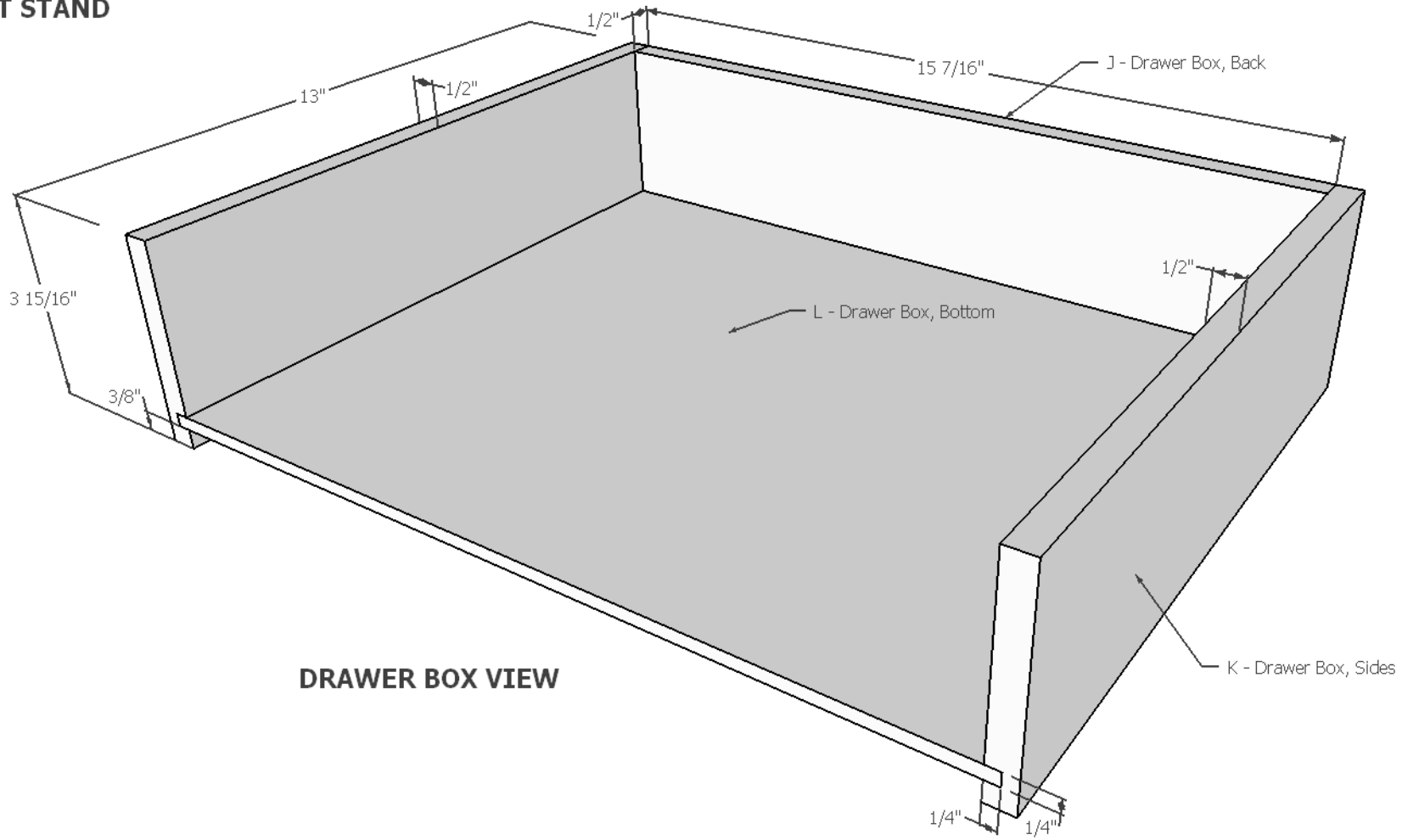


**BATON ROUGE WOODWORKERS CLUB
2014 COMMUNITY SERVICE PROJECT
NIGHT STAND**



DRAWER VIEW

**BATON ROUGE WOODWORKERS CLUB
2014 COMMUNITY SERVICE PROJECT
NIGHT STAND**



DRAWER BOX VIEW