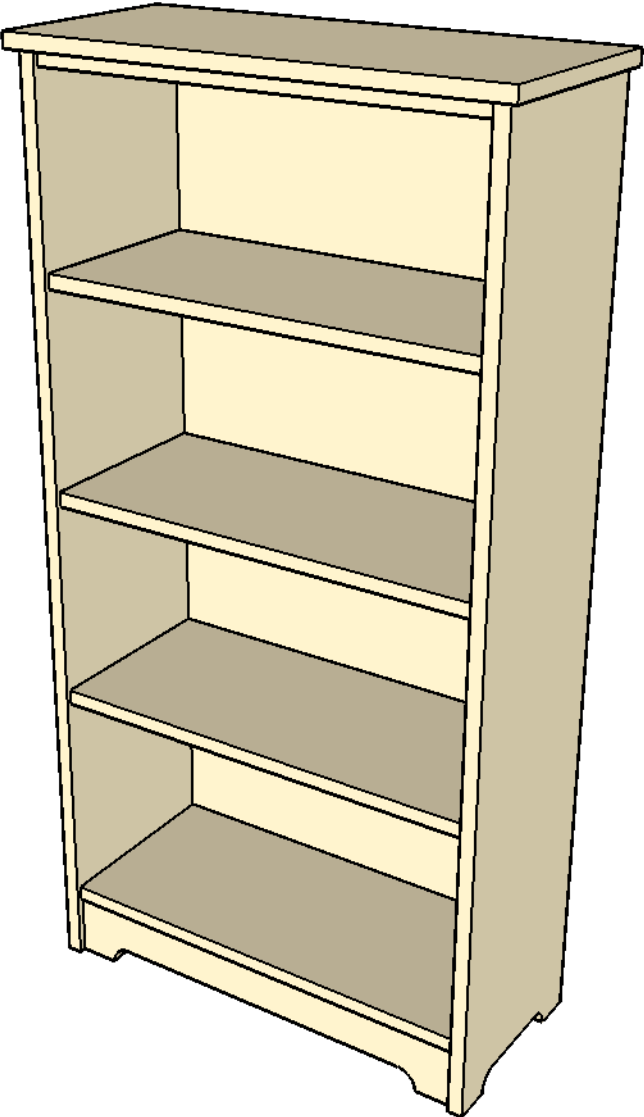
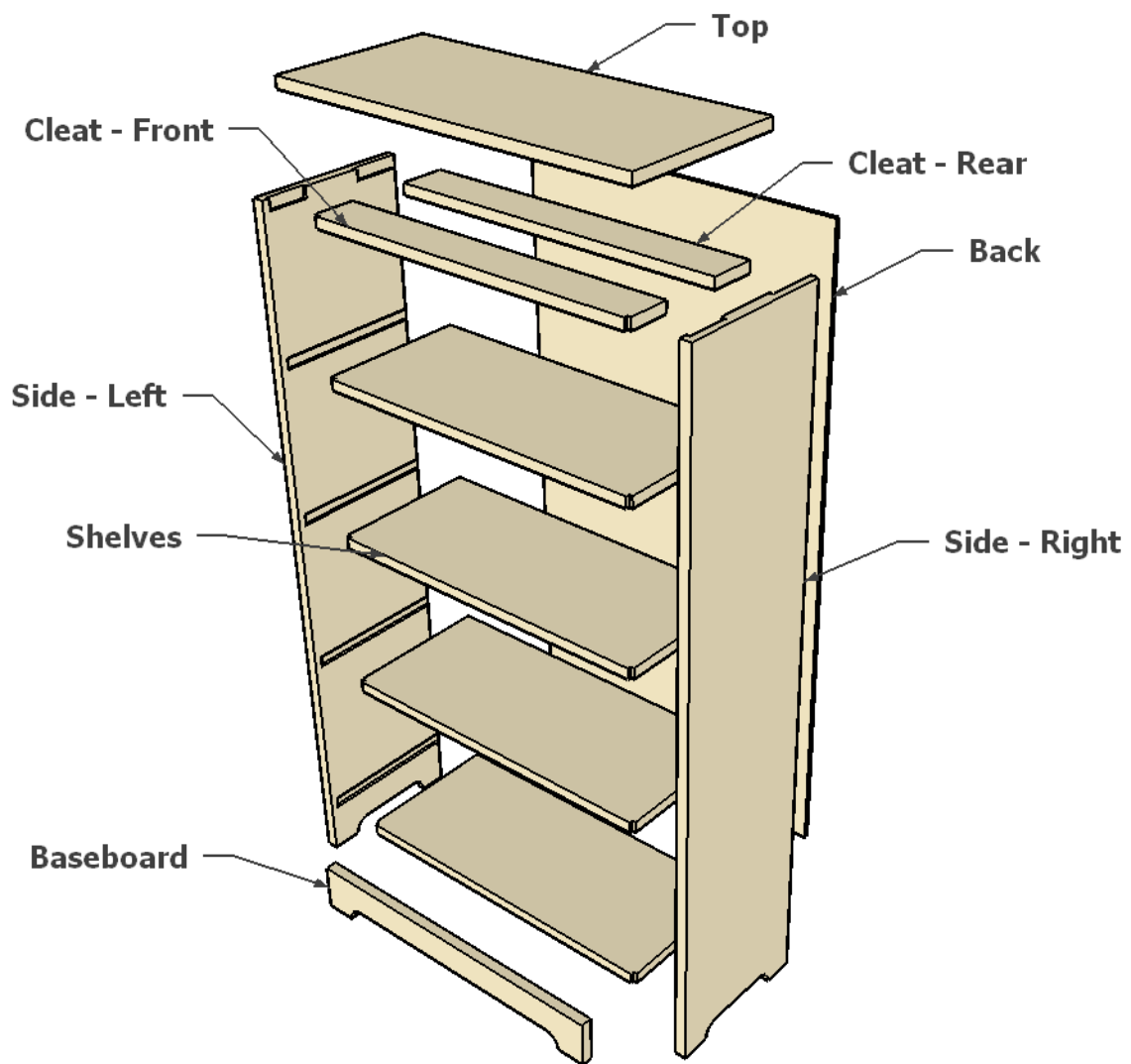


**BATON ROUGE WOODWORKERS CLUB
2014 COMMUNITY SERVICE PROJECT
BOOKSHELF**





**BATON ROUGE WOODWORKERS CLUB
2014 COMMUNITY SERVICE PROJECT
BOOKSHELF**

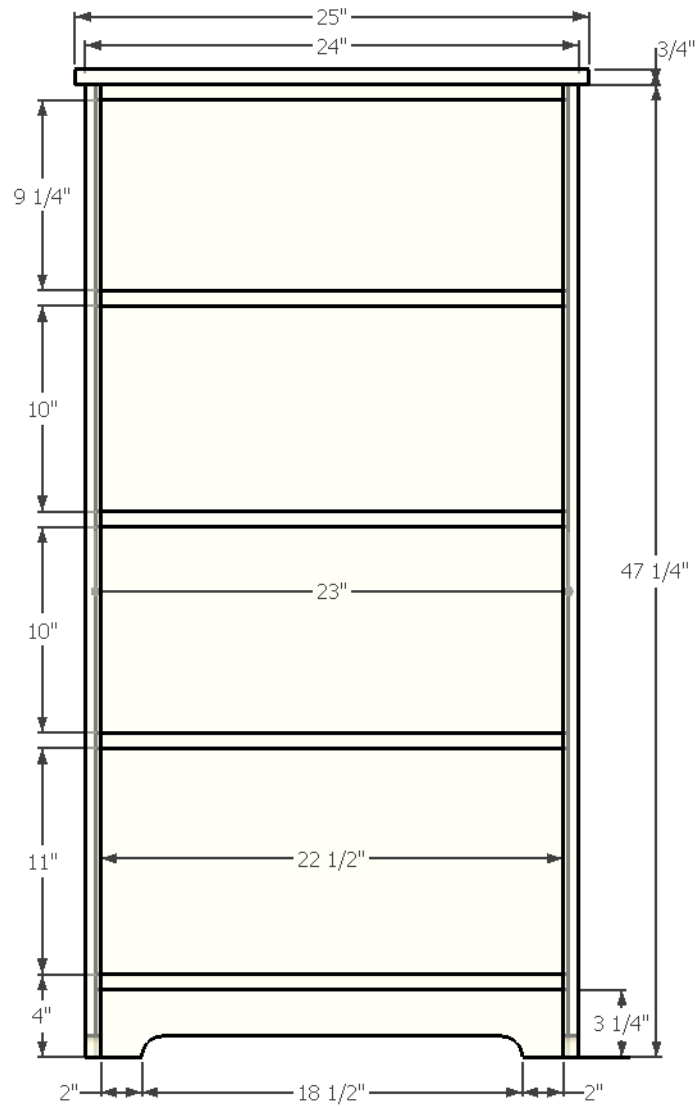
CUT LIST							
Description	Qty	Wood	Thickness	Width	Length	Board Ft	Notes
Side - Left	1	Hardwood	3/4	10 1/2	47 1/4	3.45	
Side - Right	1	Hardwood	3/4	10 1/2	47 1/4	3.45	
Shelves	4	Hardwood	3/4	10	23	6.39	Shelves set into 1/4" deep stopped dados
Top	1	Hardwood	3/4	11	25	1.91	If bookshelves are to be side by side, then length is 24"
Cleat - Front	1	Hardwood	3/4	3	23	0.48	
Cleat - Front	1	Hardwood	3/4	3	23	0.48	
Baseboard	1	Hardwood	3/4	3 1/4	22 1/2	0.51	
Back	1	Plywood	1/4	23	44		

11

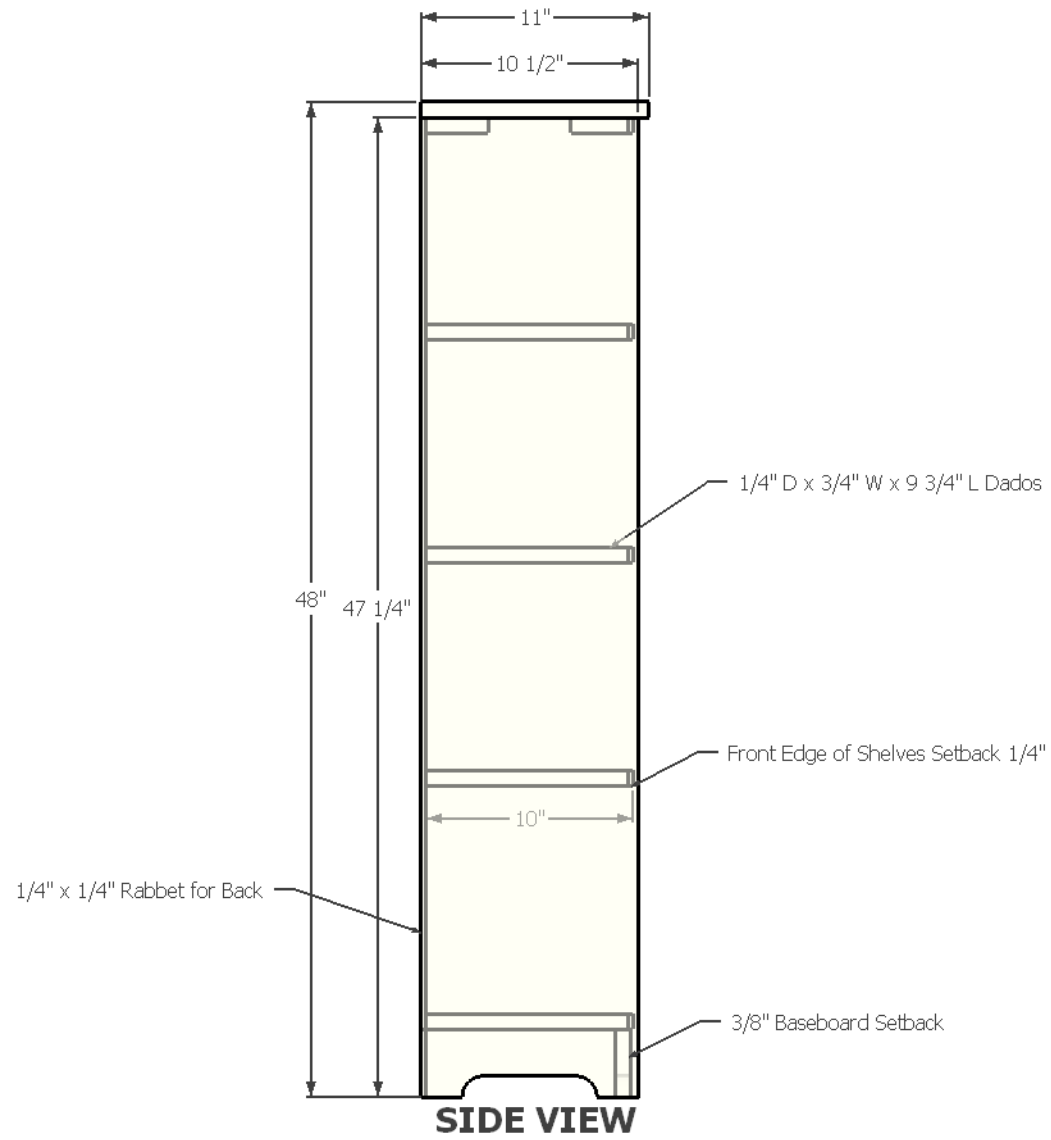
Hardwood

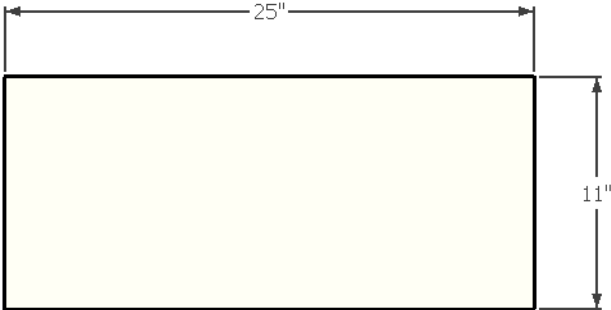
16.66

Stained in Walnut
2 coats of Polyurethane

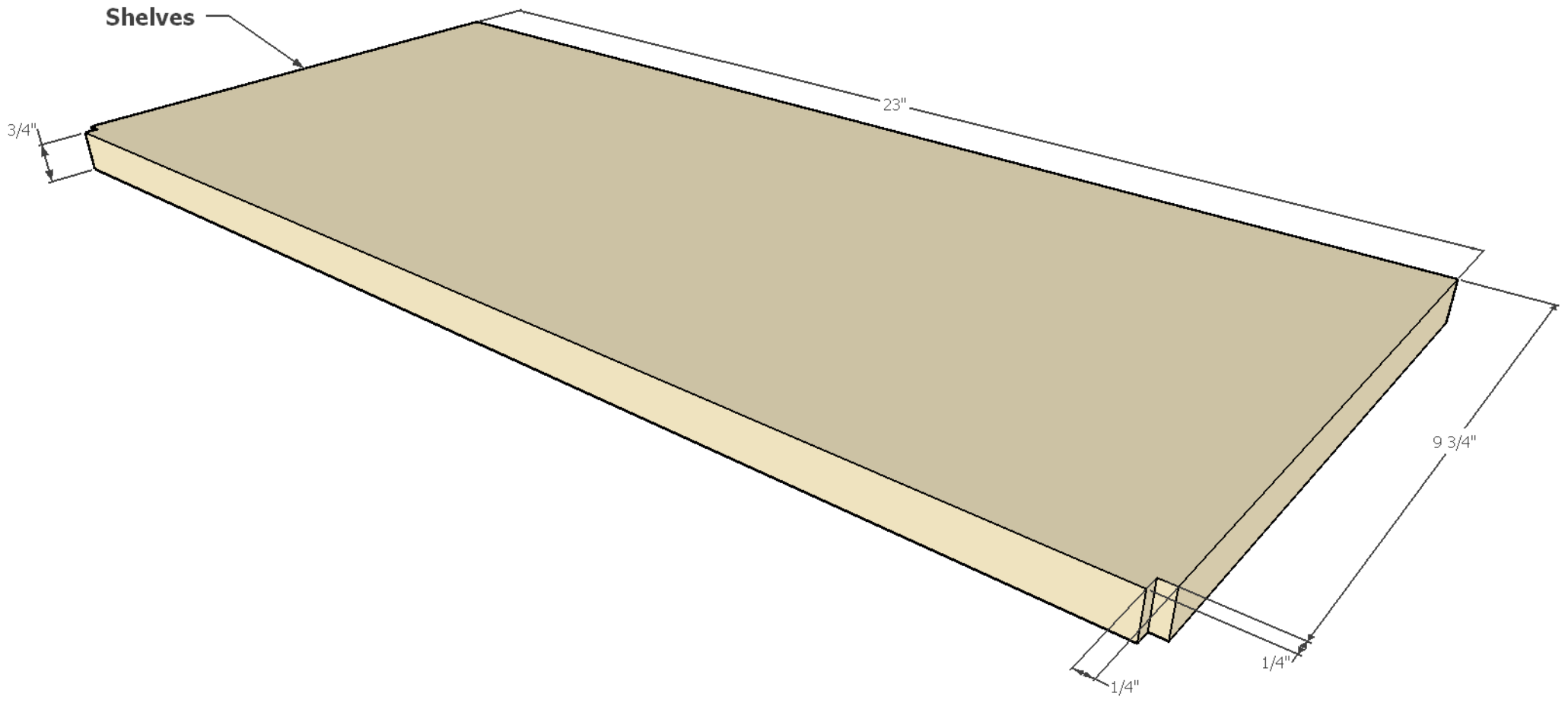


FRONT VIEW





TOP VIEW



Baseboard

