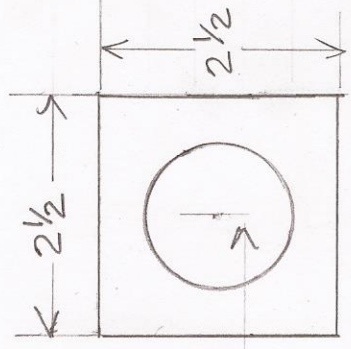
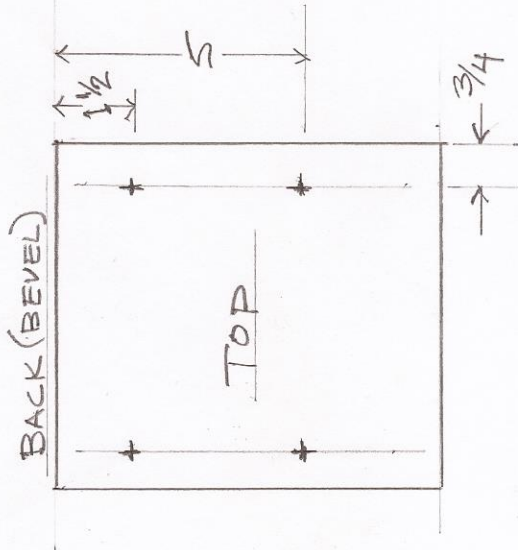
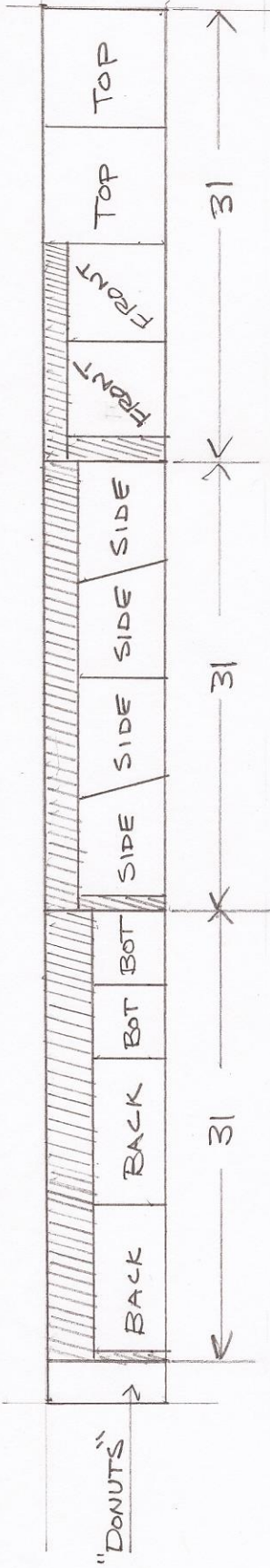


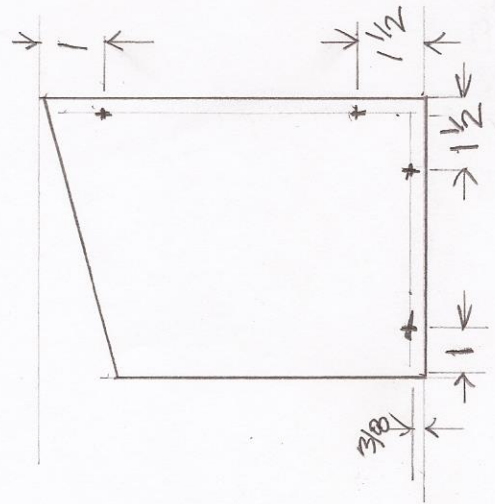
	T	W	L
SIDES	2	3/4 x 5 3/4	x 8, 6 1/2
FRONT	1	3/4 x 6 1/2	x 6 1/2
BACK	1	3/4 x 5	x 10
BOTTOM	1	3/4 x 5	x 5
TOP	1	3/4 x 7 1/4	x 8
"DONUT"	1	3/4 x 2 1/2	x 2 1/2



BIRDHOUSE, E. BLUBIRD
 SCALE: 1/2 ACTUAL SIZE
 JUNE 2016, T. LANDRY



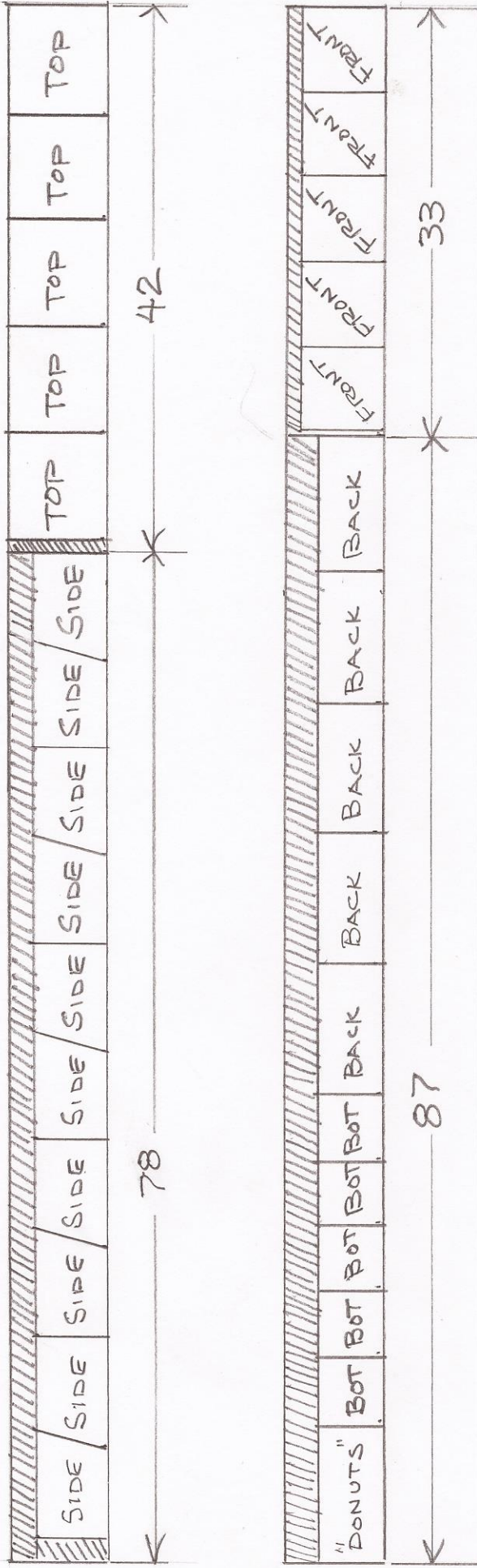
NAIL HOLE LOCATION
FOR TOP & SIDES



Cutting Sequence for 1" x 8" x 8 ft Board

Step

- A Crosscut into 3 pieces 31" long each. You will end up with about a 3" piece left over. That piece will be used to make the "donuts".
- B Rip one of the 31" pieces to 5" wide. Crosscut it into 2 bottoms and 2 backs. Be sure to cut the 15 degree bevel on the top end of the backs.
- C Rip the second piece to 5 3/4" and cut into four sides.
- D From the third piece cut two tops. Rip the remaining piece to 6 1/2" wide then crosscut it into two fronts. The fronts must be 6 1/2" to the long point of the bevel on the top end. That will be the inside surface of the front
- E Drill 1 1/2" diameter hole in fronts and "donuts". Cut "donuts" to 2 1/2" square.
- F Using either a 1/16" or 5/64" bit (the 5/64" is best) drill nail holes in indicated locations, four in each side and top. The holes will receive 4d finish nails.
- G Drill the countersunk hole in the front for a #6 x 1 1/2" screw



Cutting Sequence for 1" x 8" x 10 ft Board

- Step
- A Off of the first board, crosscut a piece at 42" long. The remaining piece will be about 78" long.
 - B From the 42" piece, cut five tops.
 - C Rip the 78" piece to 5 3/4" wide and from it cut ten sides.
 - D Off of the second board, crosscut a piece at 33" long. The remaining piece will be about 87" long.
 - E Rip the 33" piece to 6 1/2" wide and then crosscut it into five fronts. The fronts must be 6 1/2" to the long point of the bevel on top end. That will be the inside surface of the front.
 - F Rip the 87" piece to 5" wide and then crosscut it into five backs and five bottoms. The remaining piece will be used to make "donuts". The "donuts" can be a little less than 2 1/2".
 - G Drill 1 1/2" diameter hole in fronts and "donuts"
 - H Using either a 1/16" or 5/64" bit (the 5/64 is best) drill nail holes in indicated locations, four in each side and top. For nail hole locations, refer to cutting sequence for 8 ft board. The holes will receive 4d finish nails.
 - I Drill the countersunk hole in the front for a #6 x 1 1/2" screw.