

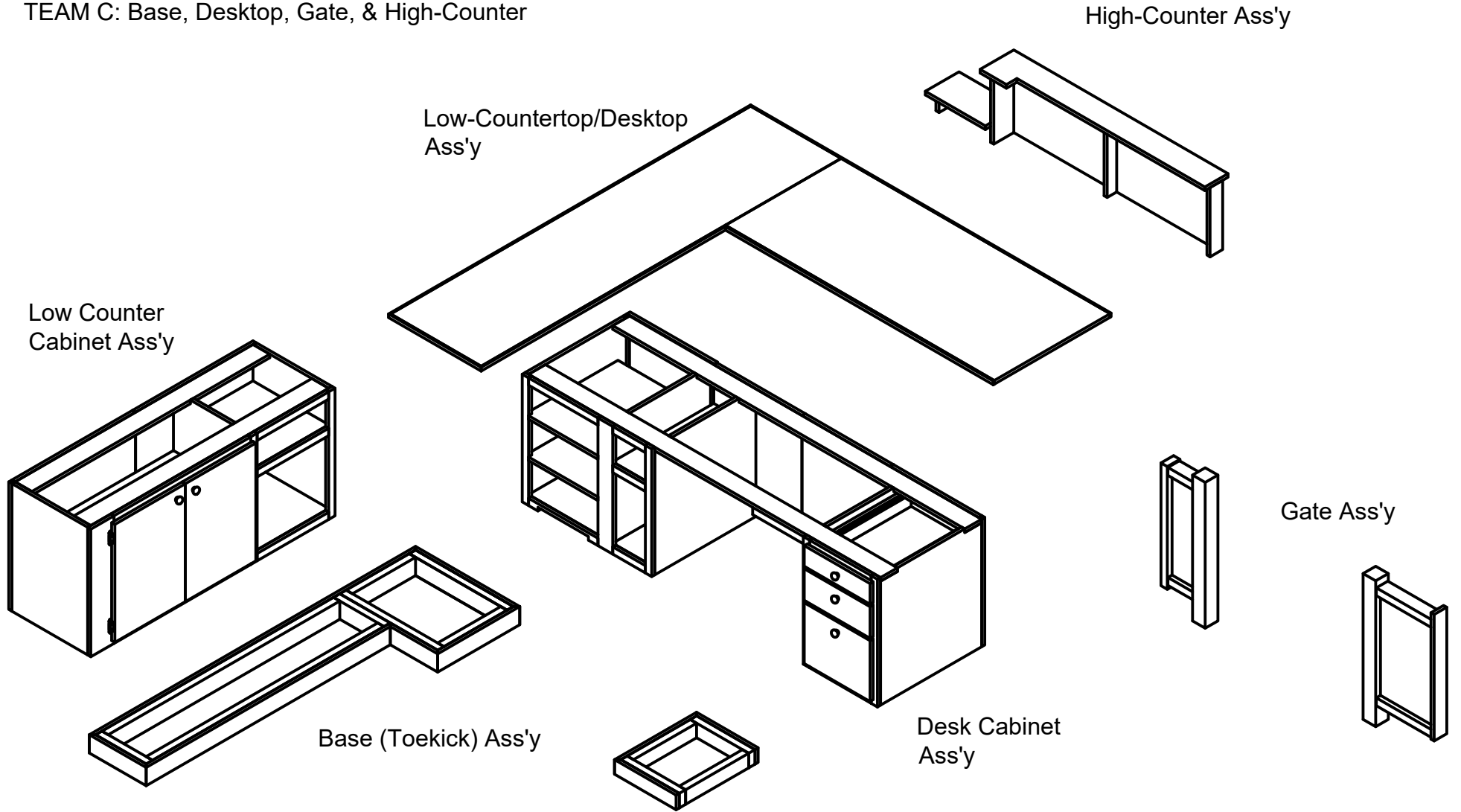
		PROJECT			BRWC Lighthouse Store Counter	
		TITLE			Build Plan	
APPROVED	SIZE	CODE	DWG NO		REV	
CHECKED	A				2	
DRAWN	Takeshi Ikuma	2/11/2019	SCALE 1:40	WEIGHT	SHEET 1/15	

This build is broken up into 6 assemblies with 3 Teams.

TEAM A: Low Counter Cabinet

TEAM B: Desk Cabinet

TEAM C: Base, Desktop, Gate, & High-Counter



PROJECT

BRWC Lighthouse Store Counter

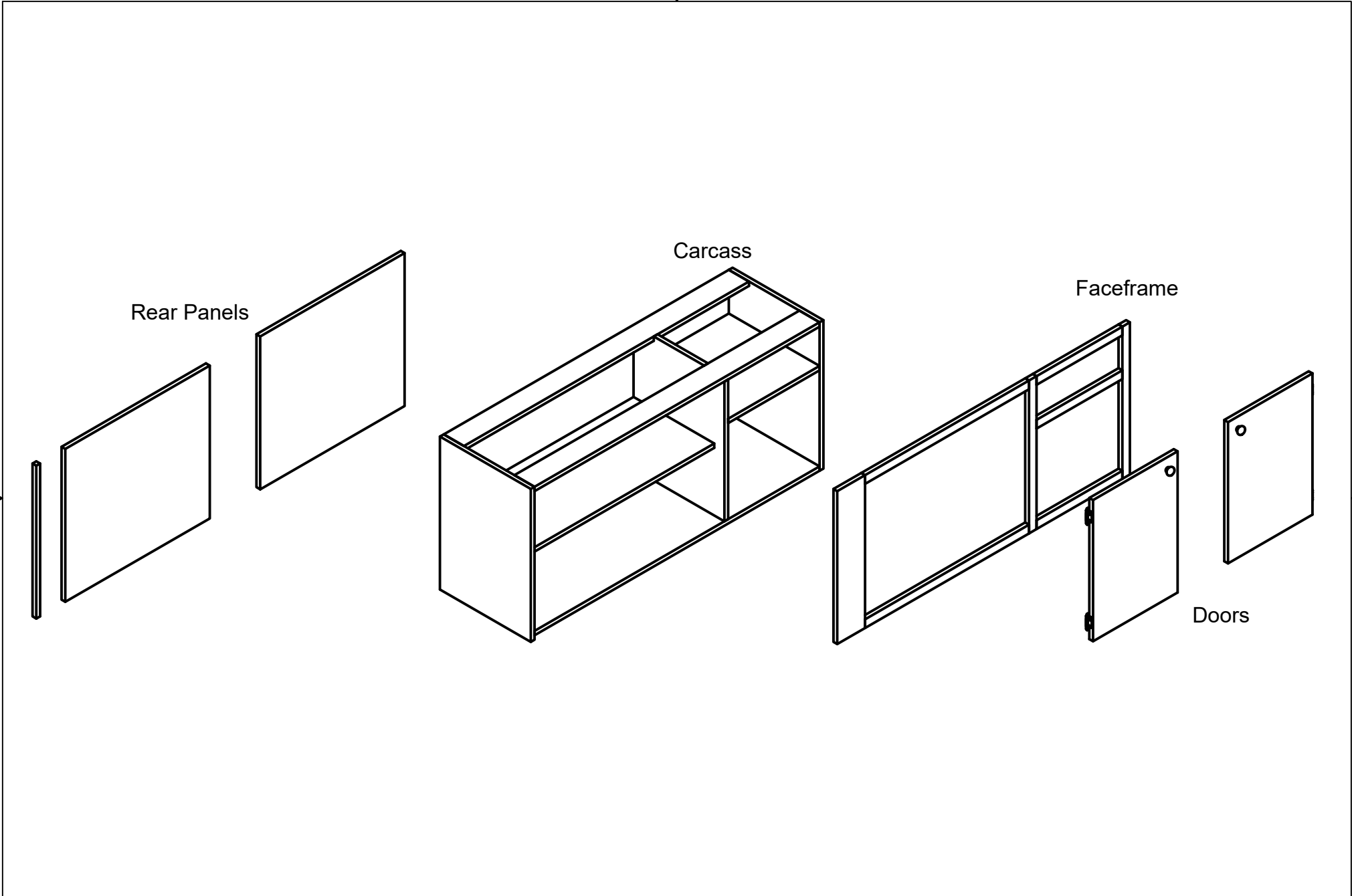
TITLE

Top-Level Exploded

REV

SCALE 1:24

SHEET 2/15



PROJECT

BRWC Lighthouse Store Counter

TITLE

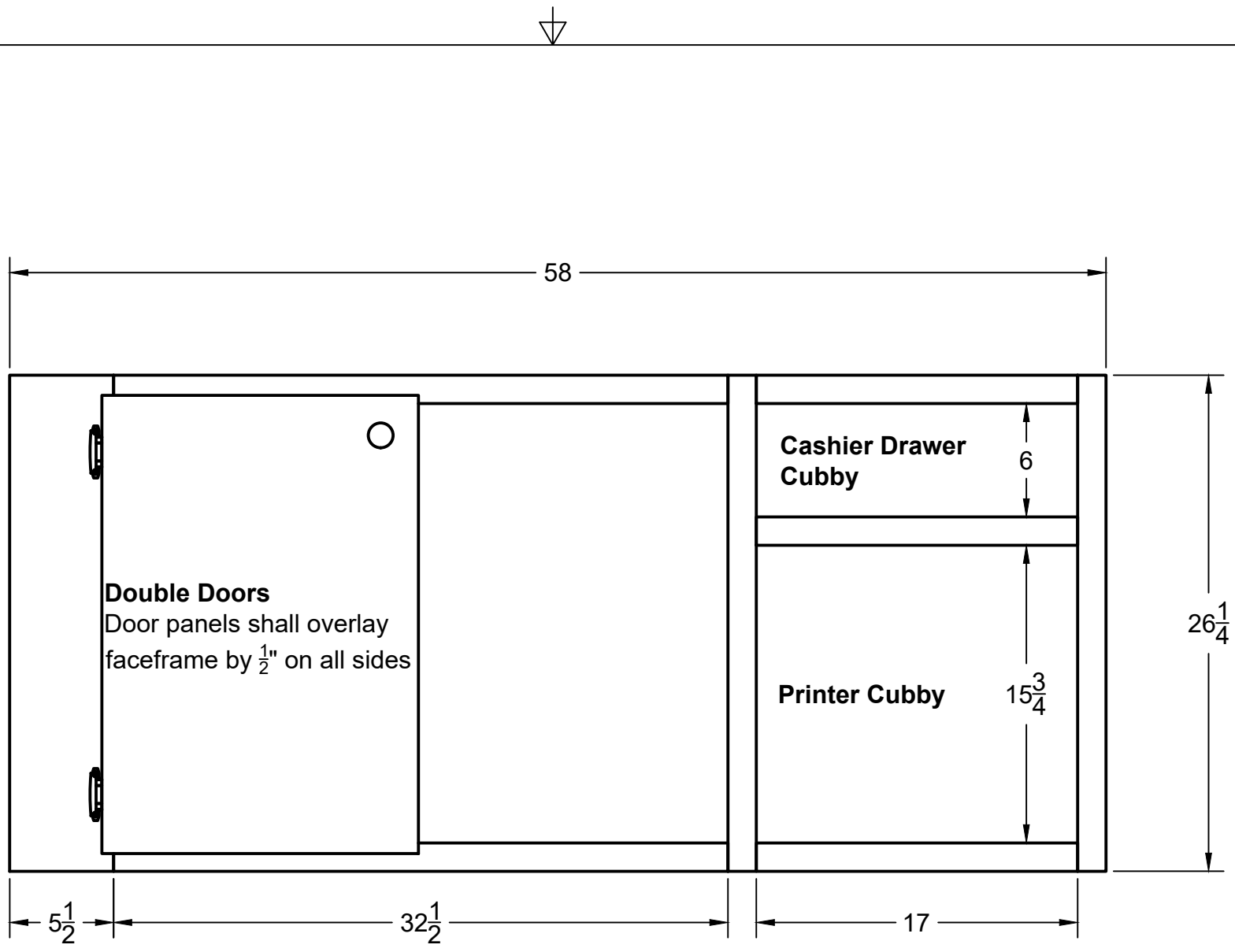
Low-Counter Cab Exploded

REV

SCALE 1:18

SHEET 3/15





Rail & Stiles: 1-1/2" wide (unless otherwise specified)

PROJECT

BRWC Lighthouse Store Counter

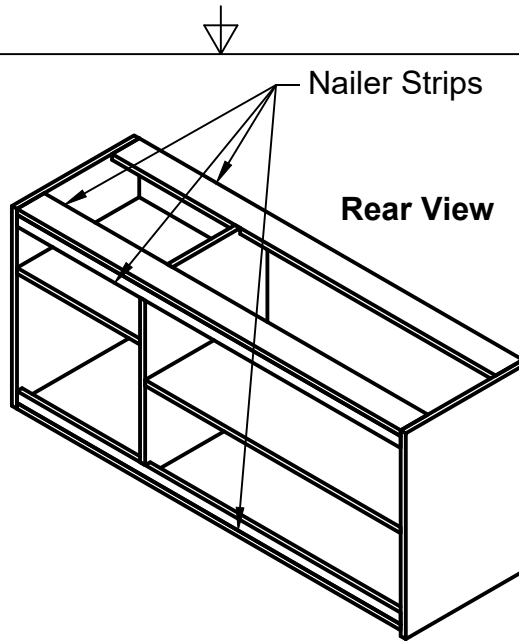
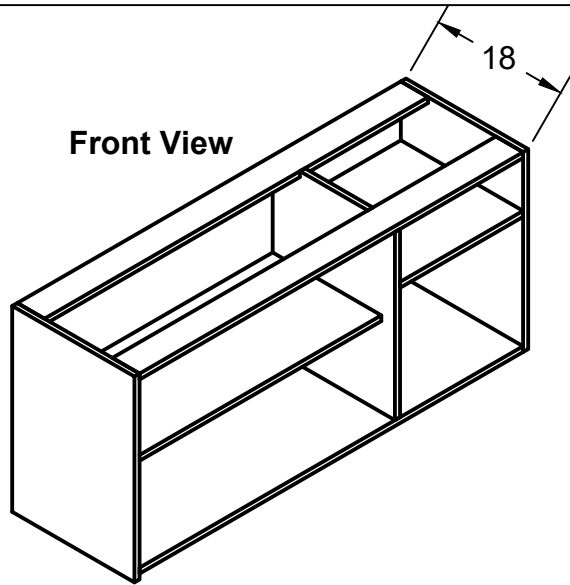
TITLE

Low-Counter Faceframe

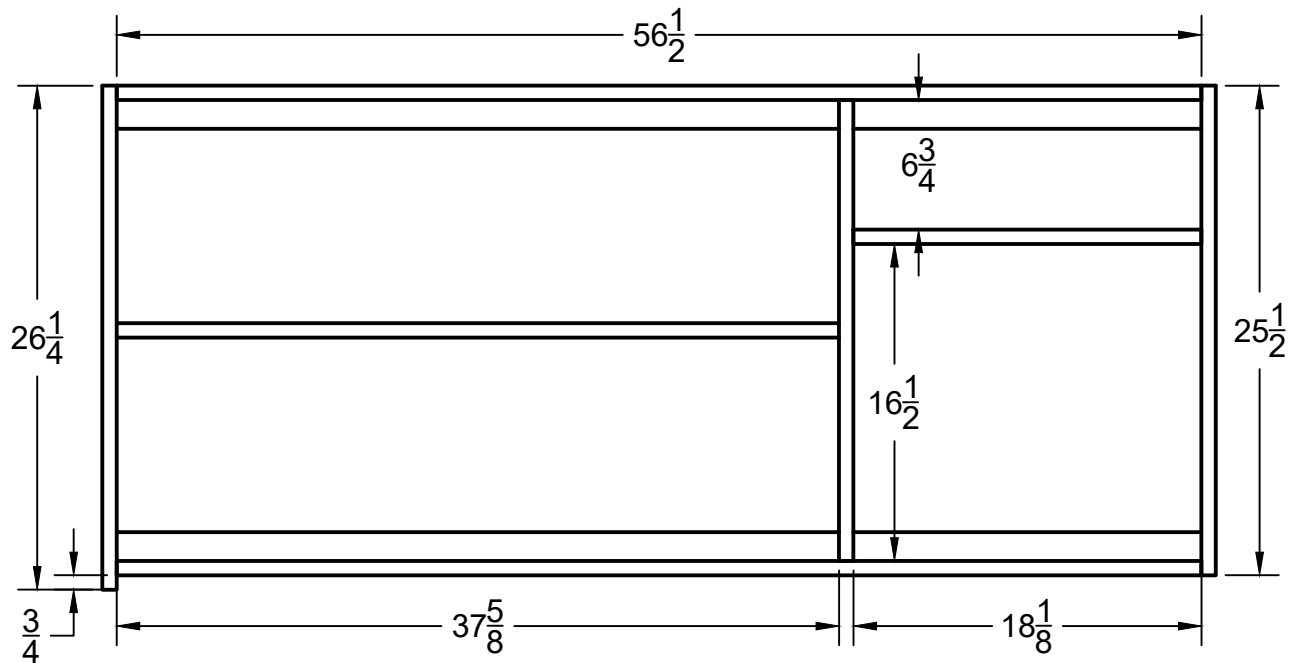
REV

SCALE 1:8

SHEET 4/15



- Only critical dimensions shown
- 2 Top Nailer Strips for Countertop
- 2 Rear Nailer Strips for Back Panels
- Right Side shorter and flush to bottom for easy Base install
- Alternately, make it same height as Left Side & notch out the middle flush to the bottom panel (See faceframe of Corner Cab)



PROJECT

BRWC Lighthouse Store Counter

TITLE

Low Counter Carcass

REV

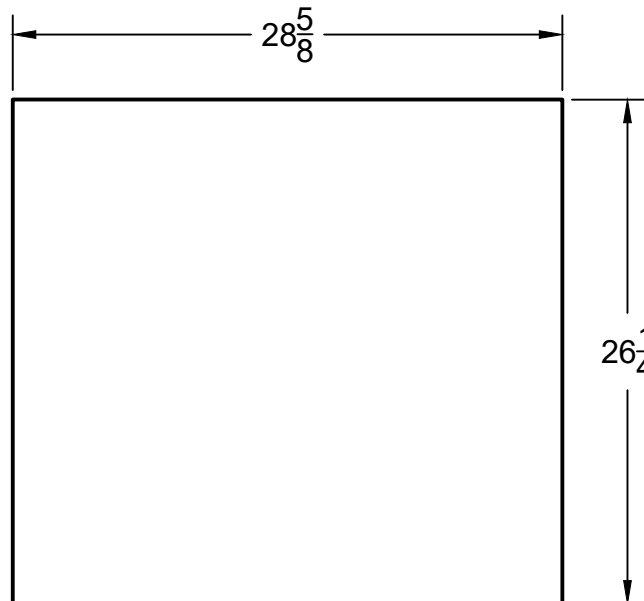
SCALE 1:10

SHEET 5/15



Double check the width with the actual carcass width

$28\frac{5}{8}$



$26\frac{1}{4}$

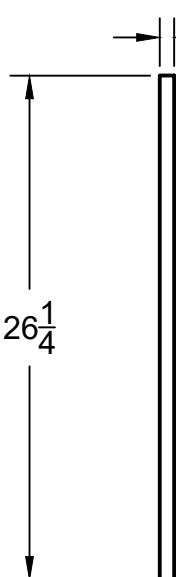
Two (2) Plywood Panels
with their grain running
VERTICALLY

$\frac{3}{4}$

Solid Edging along rear edge
of Left Side Panel

$\frac{3}{4}$ " thick

$26\frac{1}{4}$



PROJECT

BRWC Lighthouse Store Counter

TITLE

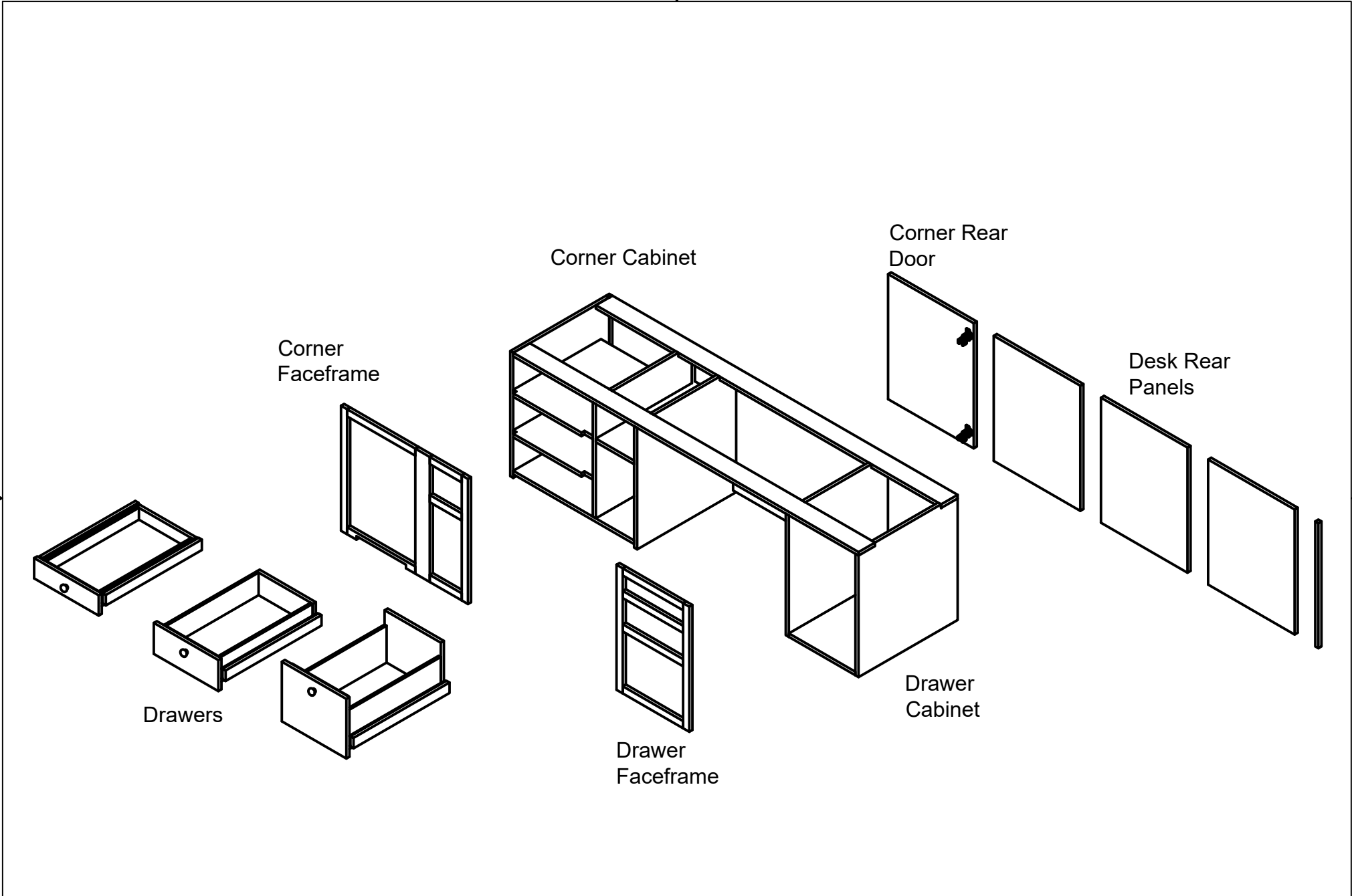
Low Counter Rear Panels

REV

SCALE 1:10

SHEET 6/15





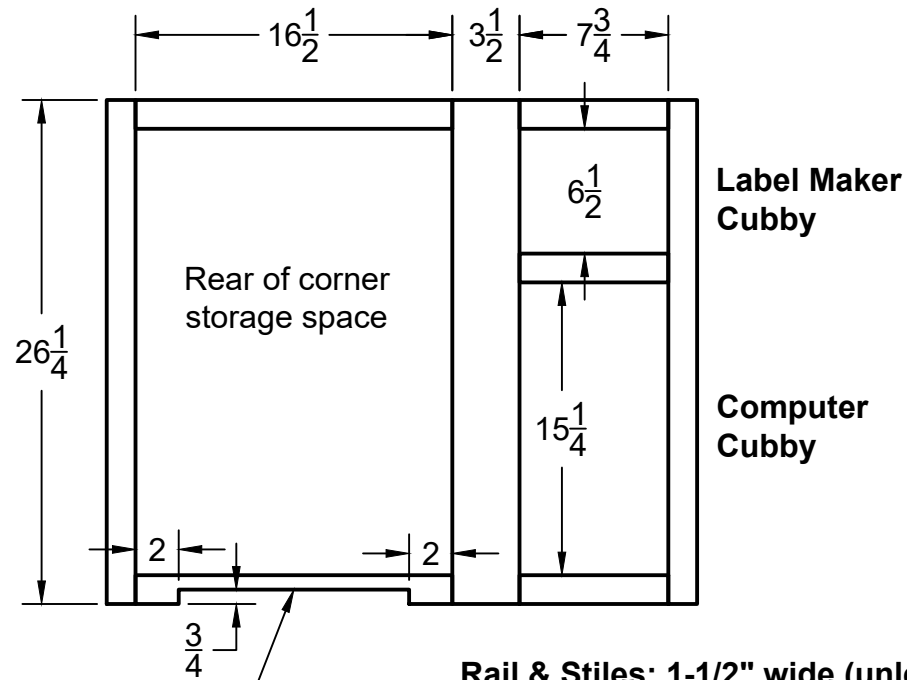
PROJECT
BRWC Lighthouse Store Counter

TITLE
Desk Cabinets Exploded

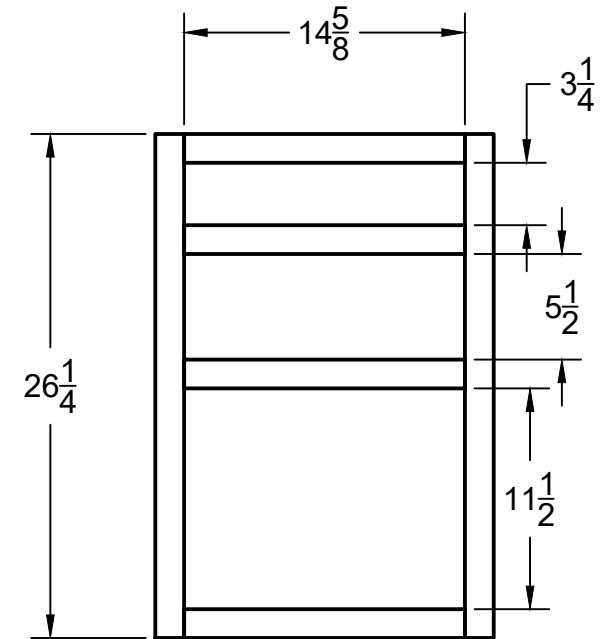
REV
SCALE 1:22
SHEET 7/15



Corner Cabinet Faceframe



Drawer Cabinet Face Frame



Rail & Stiles: 1-1/2" wide (unless otherwise specified)

Notches are necessary for installing Base.
 Notched section should be flush with bottom of carcass.
 Recommended to notch out after attached to carcass

PROJECT

BRWC Lighthouse Store Counter

TITLE

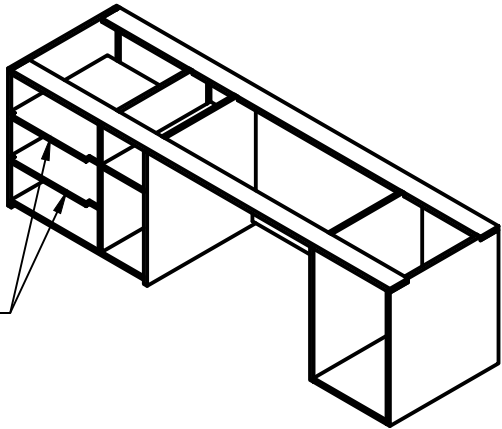
Desk Cab Faceframes

REV

SCALE 1:10

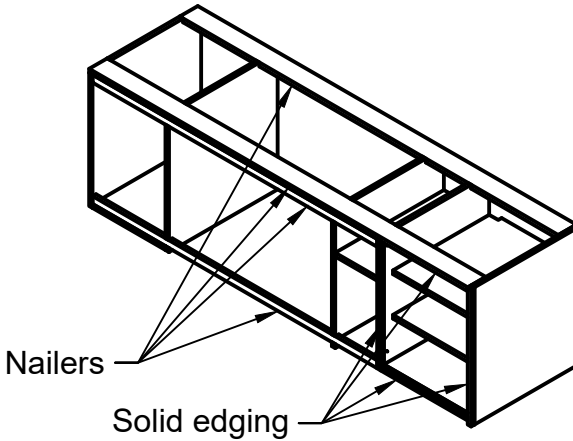
SHEET 8/15

Front View



Protruded

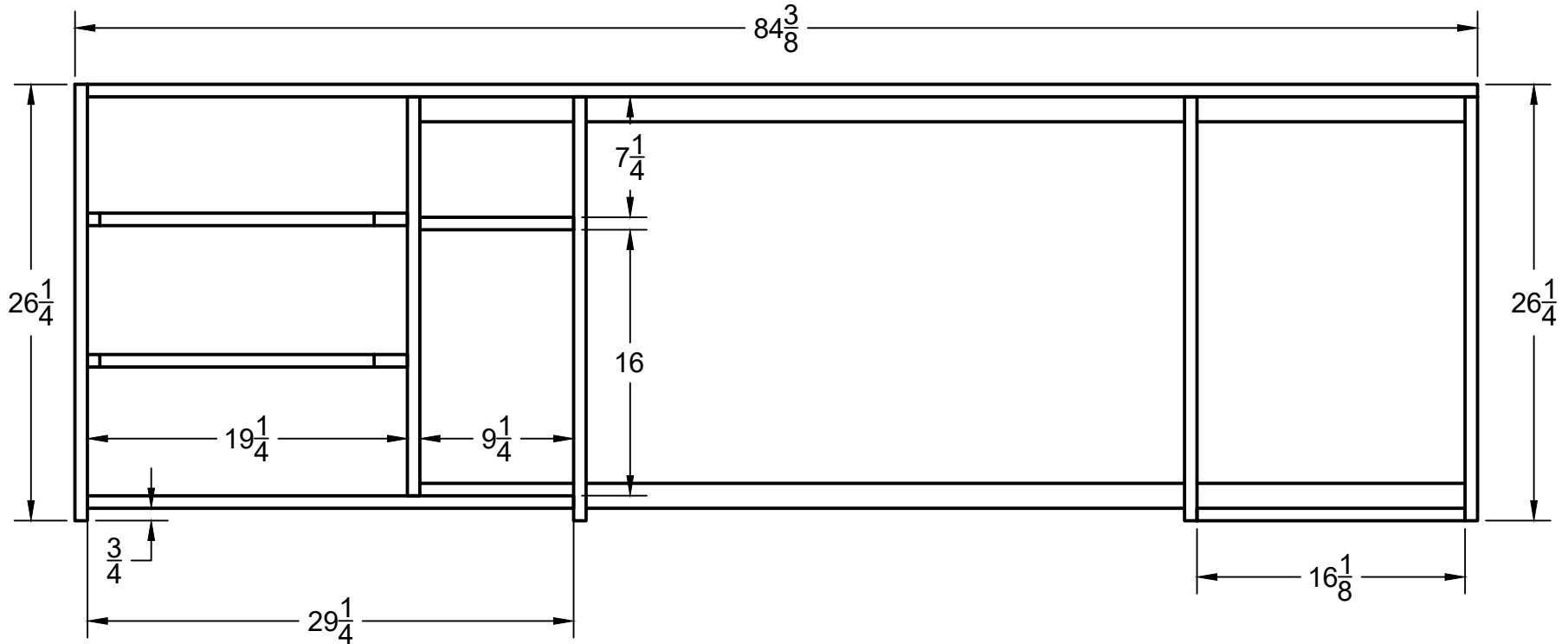
Rear View



Nailers

Solid edging

- Only critical dimensions shown
- 24" Deep
- 2 Top Nailer Strips for Desktop
- 2 Rear Nailer Strips for Back Panels
- Solid edging around Corner Door
- Corner Storage Shelves
 - Front edge insets by a couple inches
 - (Optional) Notches on the back edge protrudes by $\frac{3}{4}$ " to be gap-free
- Corner Storage Edging
 - Solid edging under the door



PROJECT

BRWC Lighthouse Store Counter

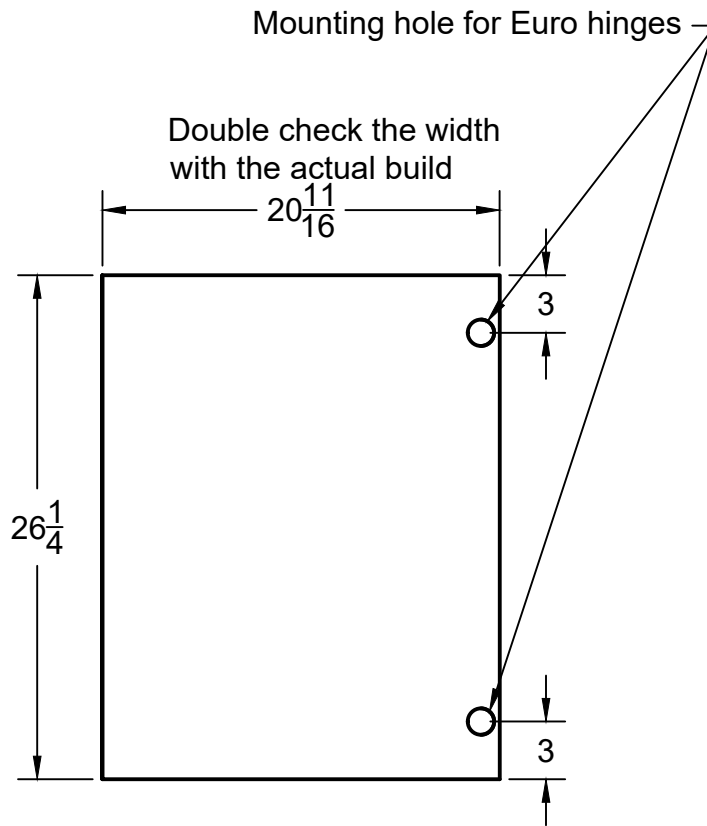
TITLE

Desk Cab Carcass

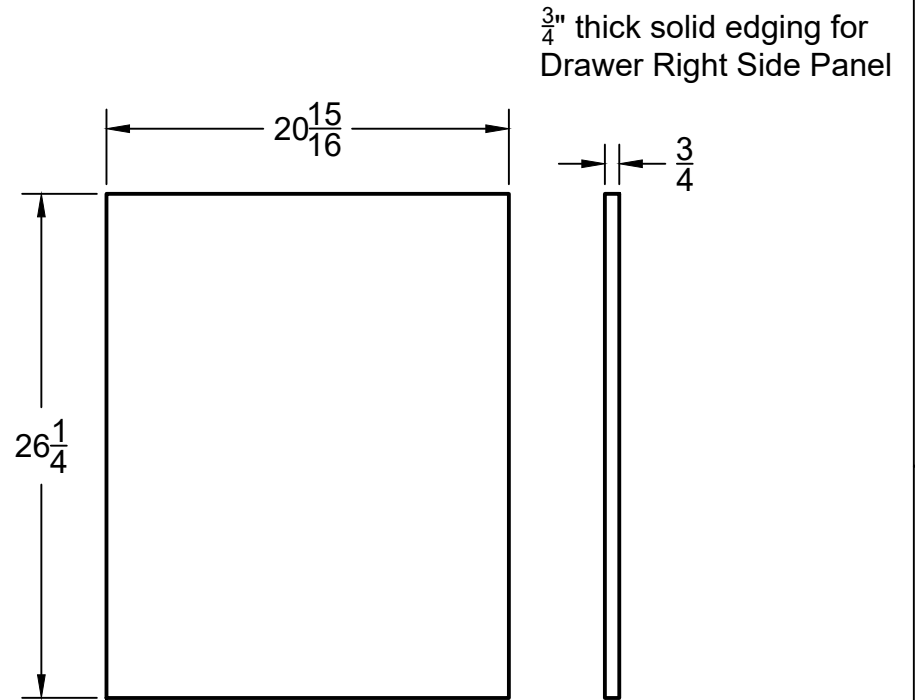
REV

SCALE 1:10

SHEET 9/15



Door for Corner Storage



Three (3) plywood panels with their grain running **VERTICALLY**

PROJECT

BRWC Lighthouse Store Counter

TITLE

Desk Cab Rear Panels

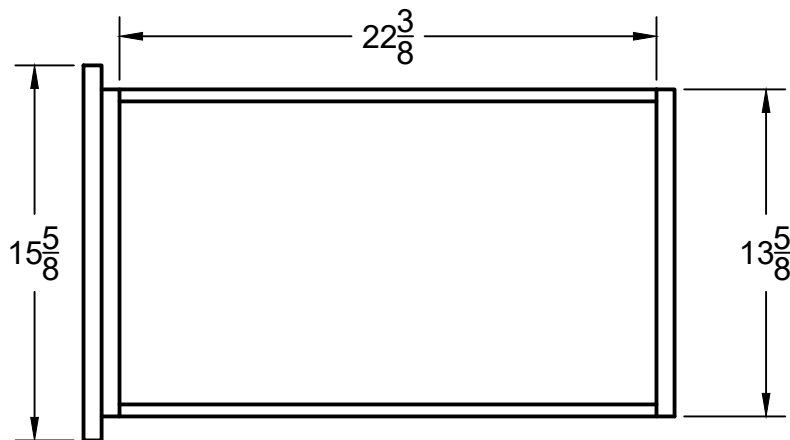
REV

SCALE 1:10

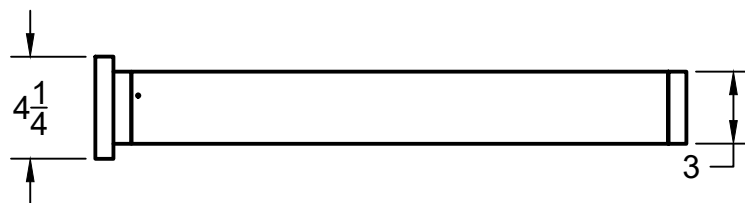
SHEET 10/15



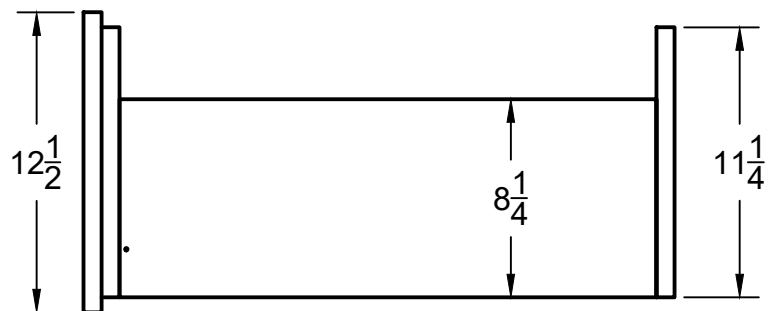
- Baltic birch for the body
- Needs spacers to mount drawer slides to carcass
- Bottom drawer needs 4 notches for 2 rectangular metal rods from front to back to hang file folders. Use actual file folders to determine the size & positions
- Double check the depth clearance with your carcass



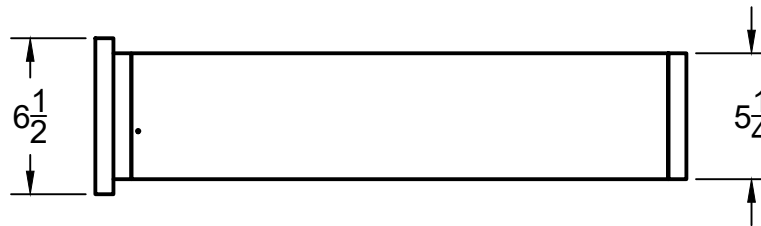
Top Drawer



Bottom File Drawer



Middle Drawer



PROJECT

BRWC Lighthouse Store Counter

TITLE

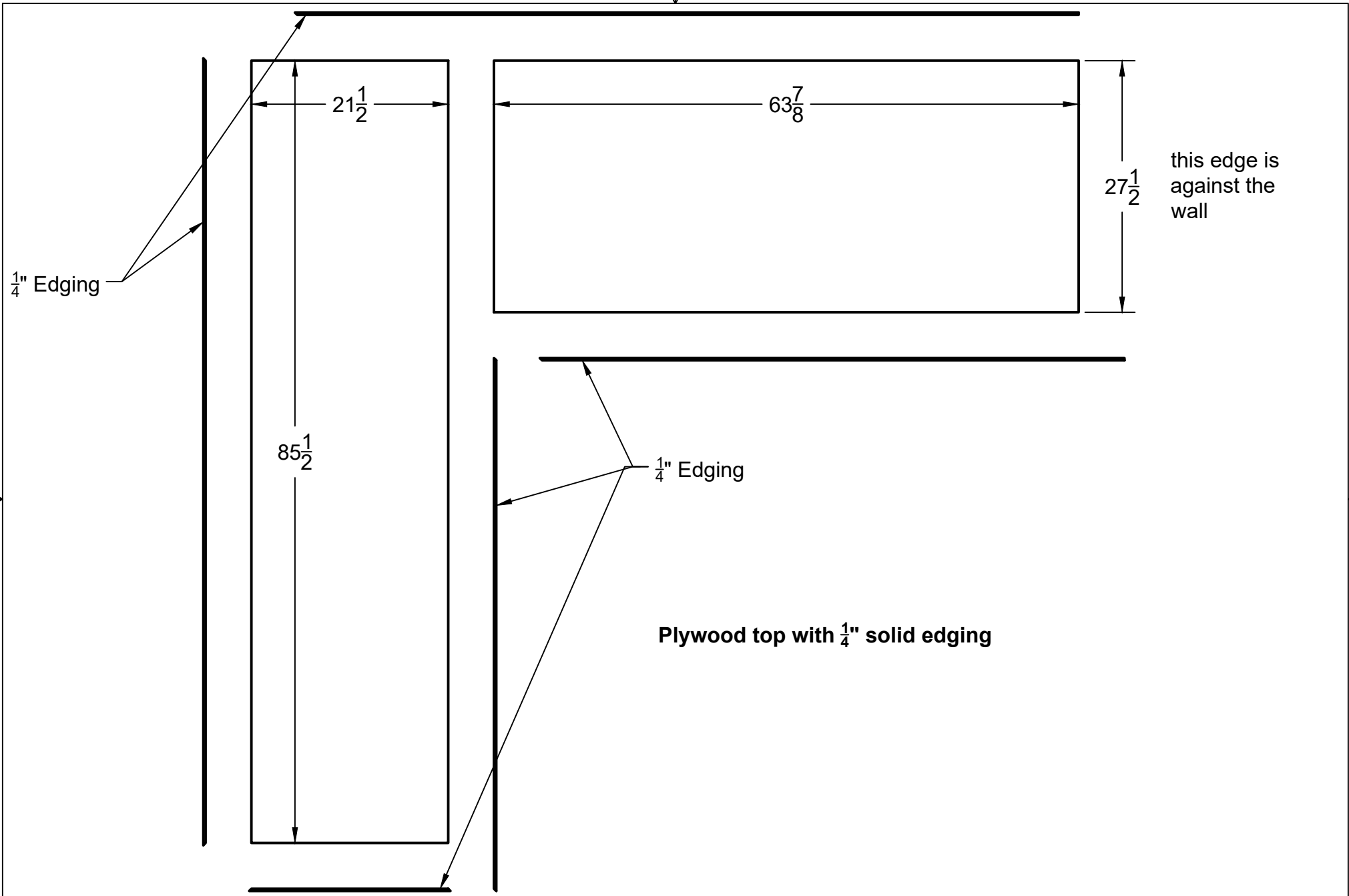
Desk Drawers

REV

SCALE 1:8

SHEET 11/15

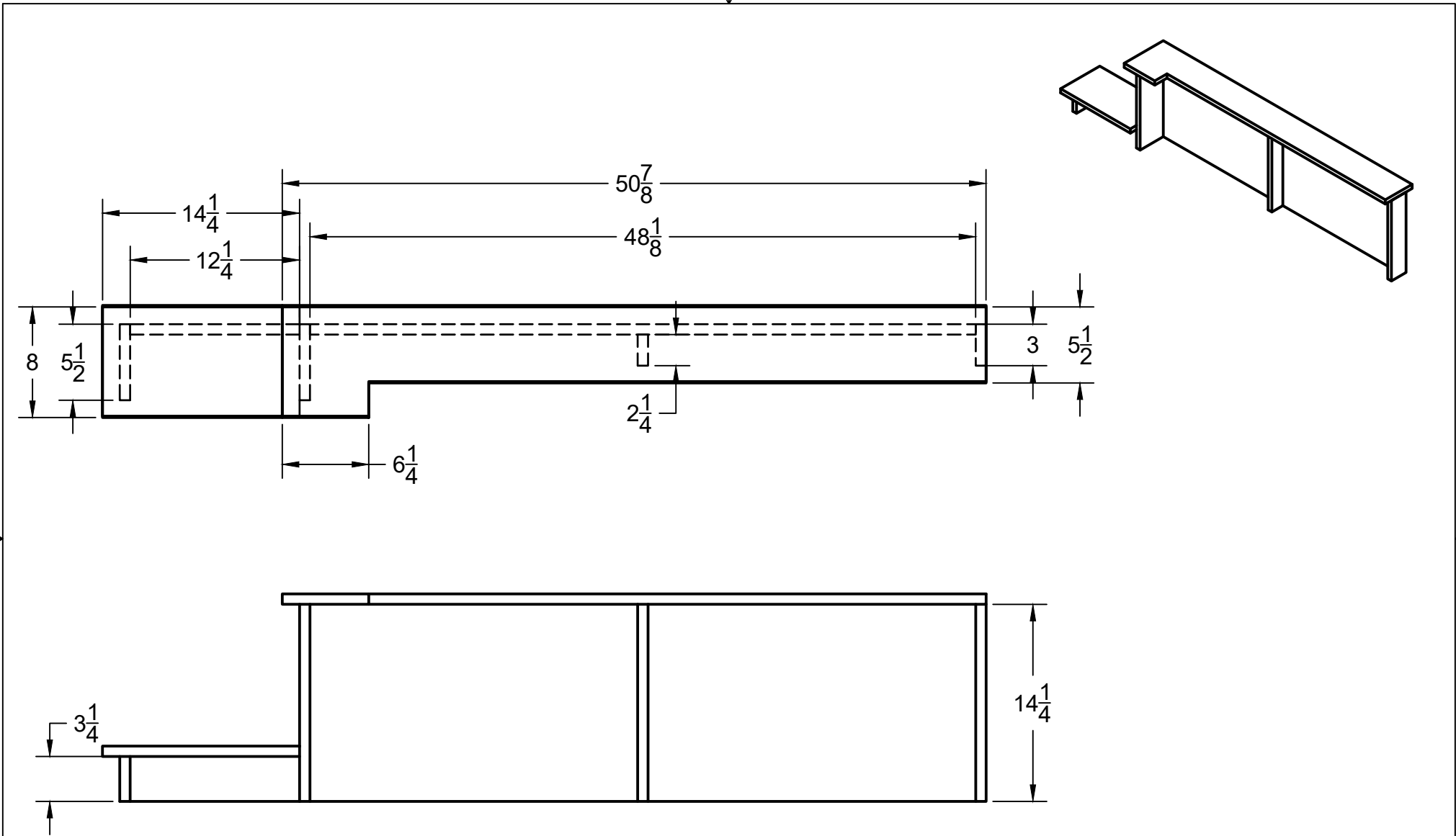




PROJECT
BRWC Lighthouse Store Counter

TITLE
Countertop/Desktop

REV
SCALE 1:10
SHEET 12/15



Solids for all except for the rear panels

Attach this to the desktop before mounting the desktop to the cabinets.

PROJECT

BRWC Lighthouse Store Counter

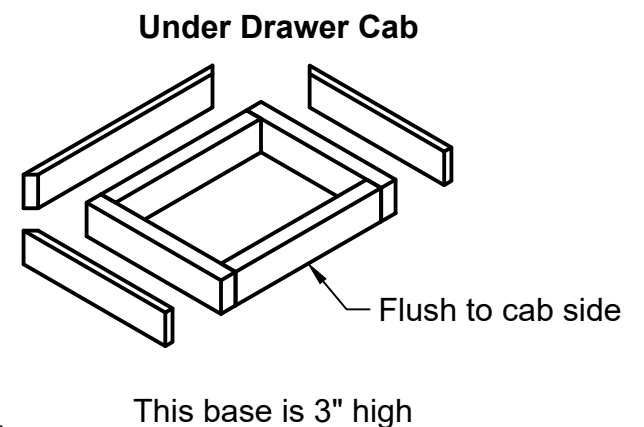
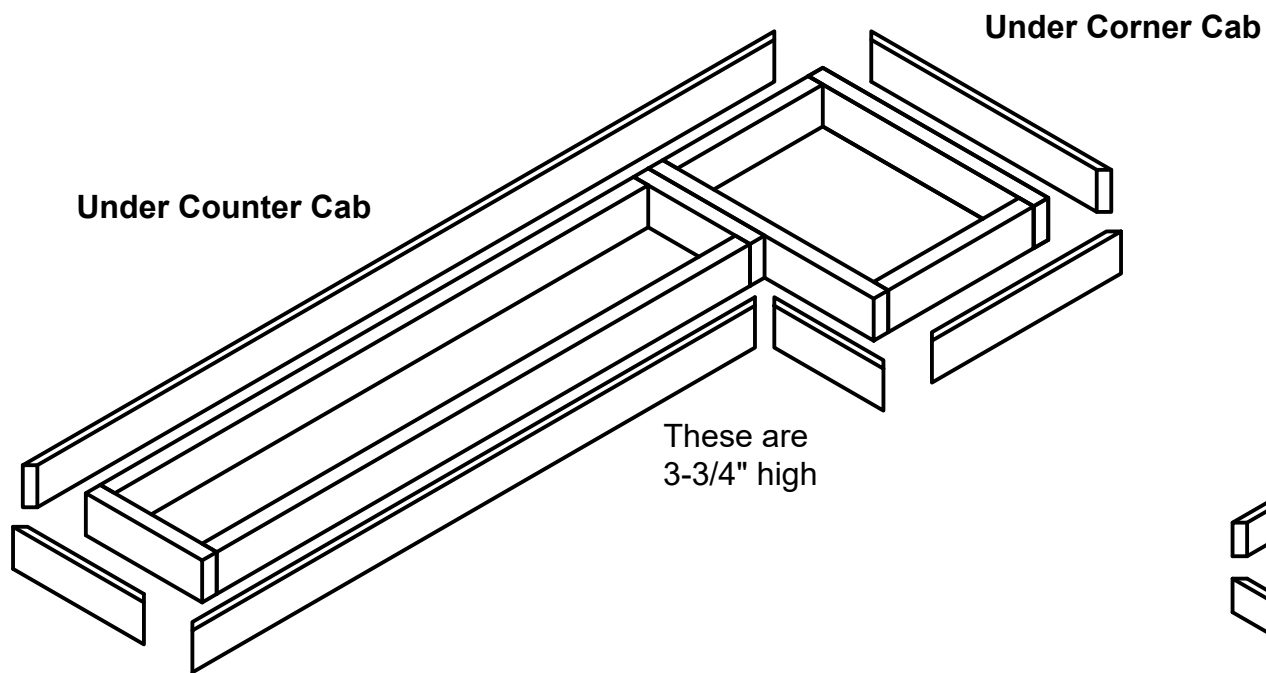
TITLE

Tall Counter

REV

SCALE 1:10

SHEET 13/15



Bases

- 2 different heights (3-1/4" for doored/cubby cabinets and 2-1/2" for drawer cab)
- Inner structure (2x4's) is inset by 3-3/4" on all sides (except for one side, which is against the wall)
- 3/4" plywood cover wraps the inner structure, resulting in 3" toekick depth

PROJECT

BRWC Lighthouse Store Counter

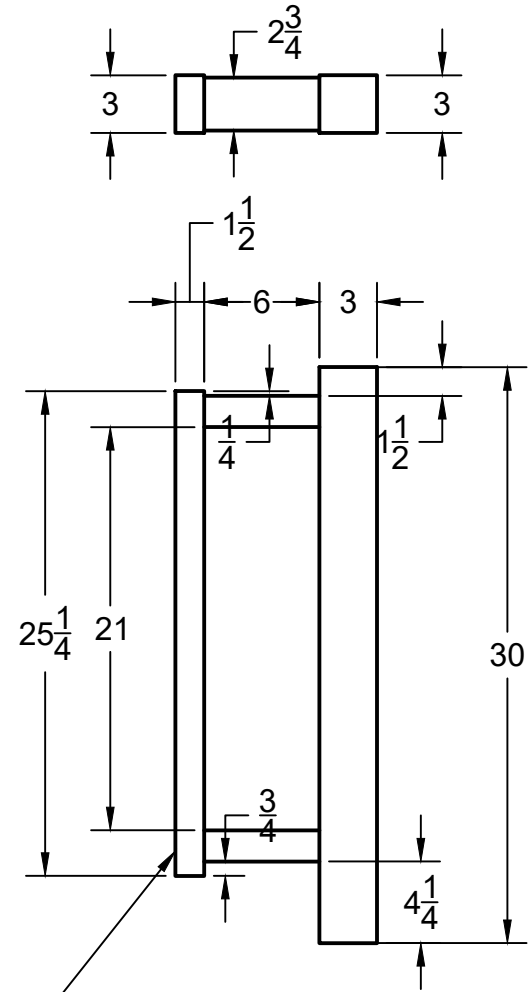
TITLE

Base Exploded

REV

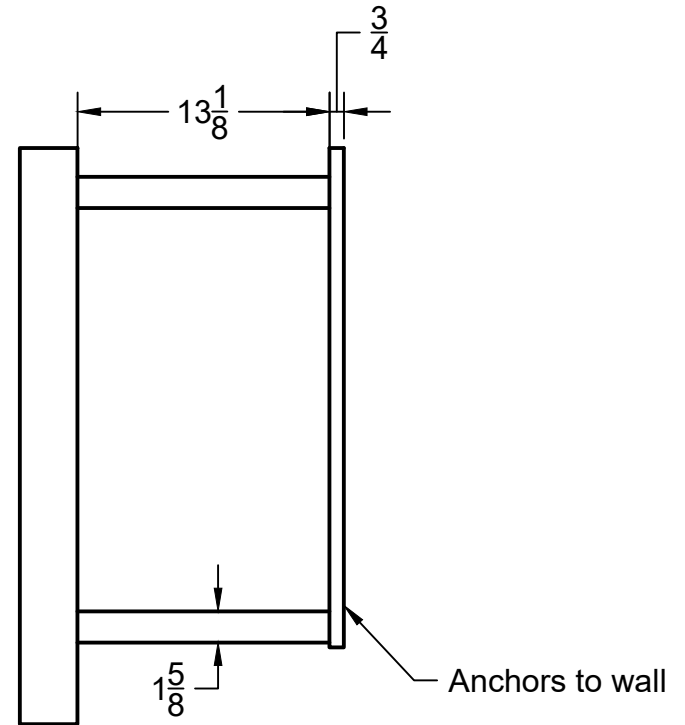
SCALE 1:14

SHEET 14/15



Mounts to Counter Cabinet

Swing Gate Here (Not pictured)
 * Match the railing panels
 * Gravity swing



Anchors to wall

PROJECT

BRWC Lighthouse Store Counter

TITLE

Railing (+ Gate)

REV

SCALE 1:8

SHEET 15/15