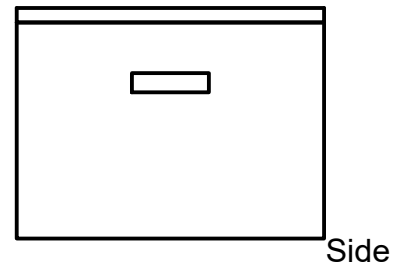
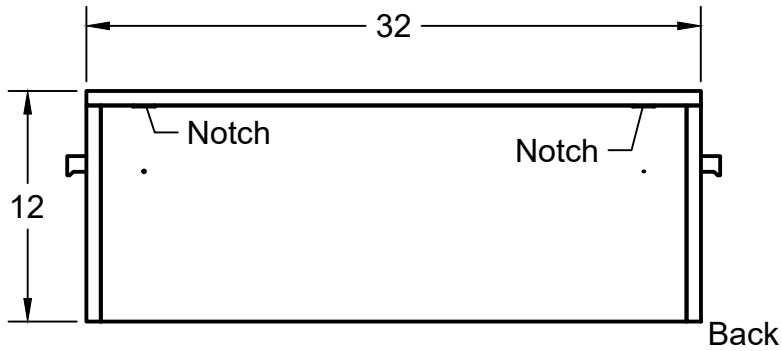
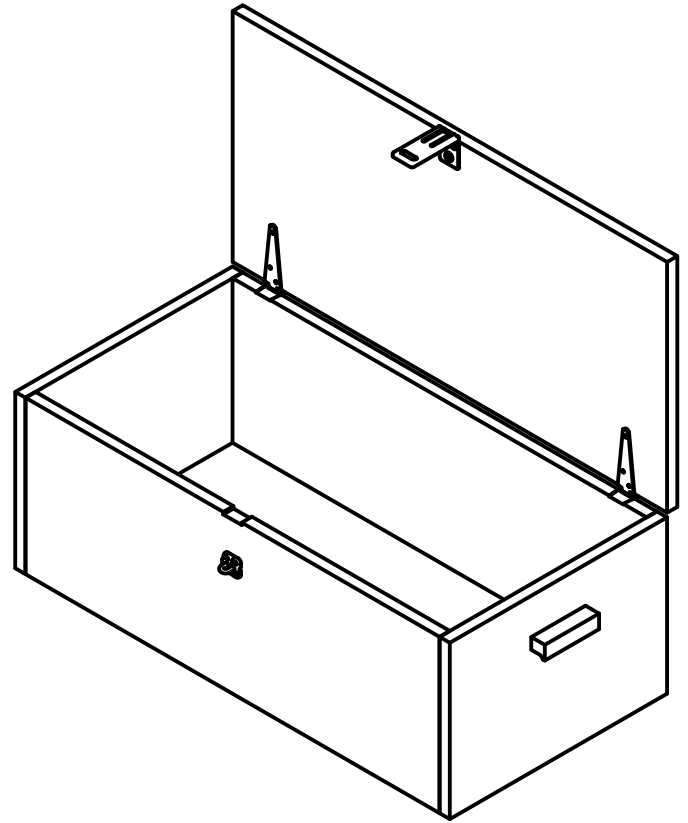
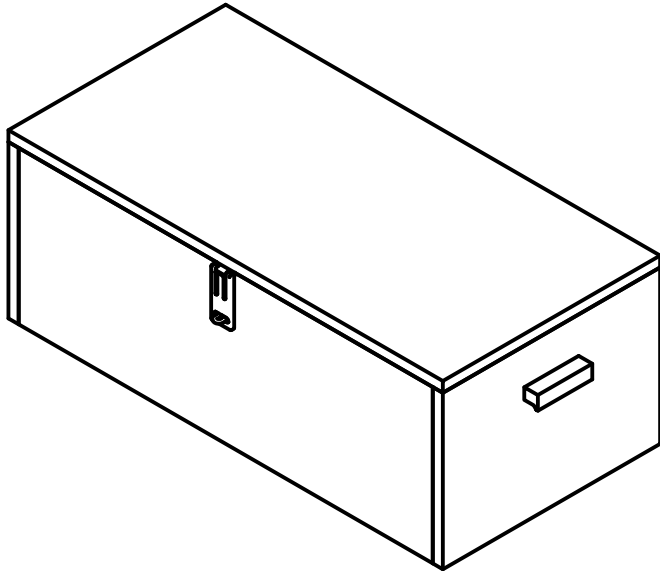


O'Brien House Footlockers



- Cut out notches on front & back panels for the hasp and hinges so the top sits flat on the sides
- Make handles from scrap
- Use only supplied screws

