

## Hays Pantry Ladder Bill of Materials

### MAIN STAND

Part #	Part Name	Qty	Thickness	Width	Length	Grain	Comments	Board Feet
1	Legs	4	1	1.5	31.25	L	Curved piece from 4" wide stock	0.87
2	Top	1	0.5	8.75	17.375	L	Ornamental cutout in center	1.06
3	Top Front and Rear Rails	2	0.75	1.5	13.875	L		0.29
4	Top Left and Right Rails	2	0.75	1.5	4.75	L		0.10
5	Mid Rear Ladder Stop Rail	1	0.75	1.5	13.875	L		0.14
6	Bottom Left and Right Rails	2	0.75	1.5	9.25	L		0.19
7	Bottom Rear Rail	1	0.75	1.5	13.875	L		0.14
13								<b>2.79</b>

### SWING LADDER

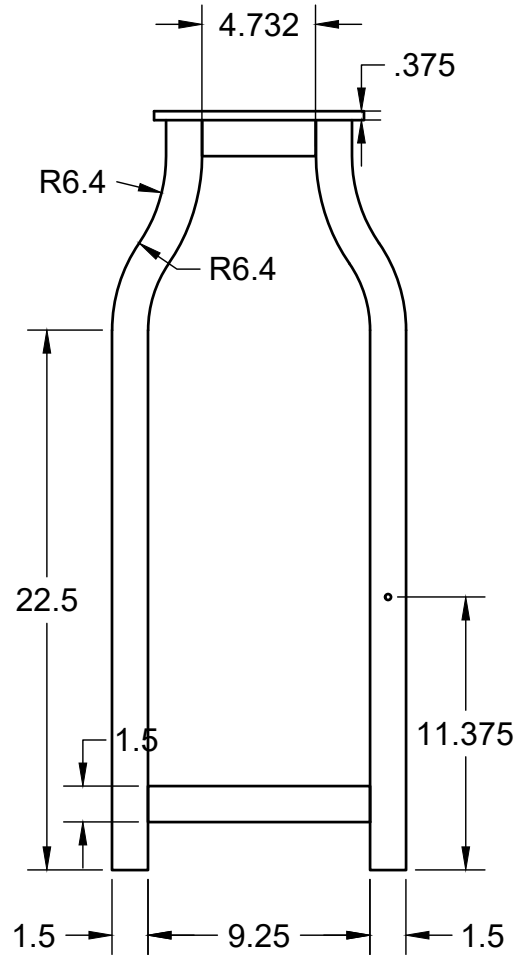
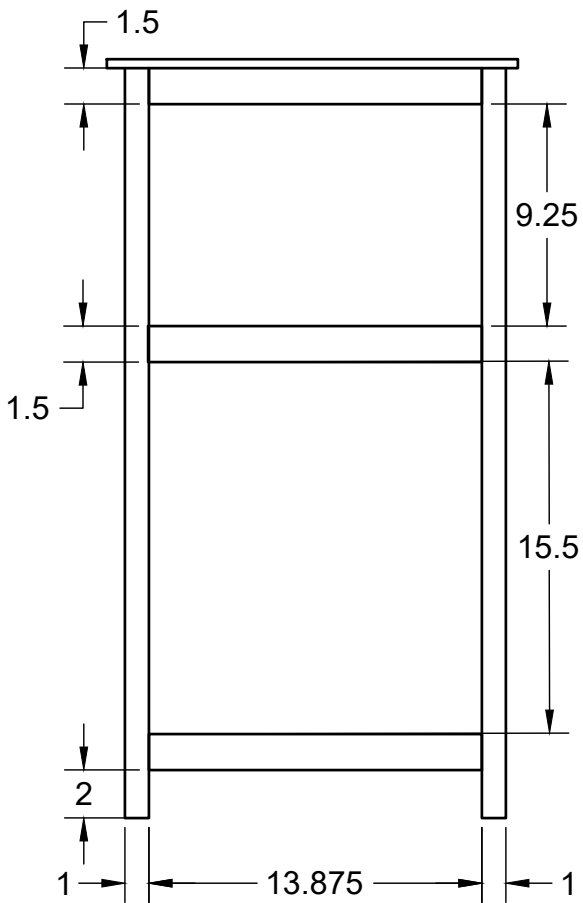
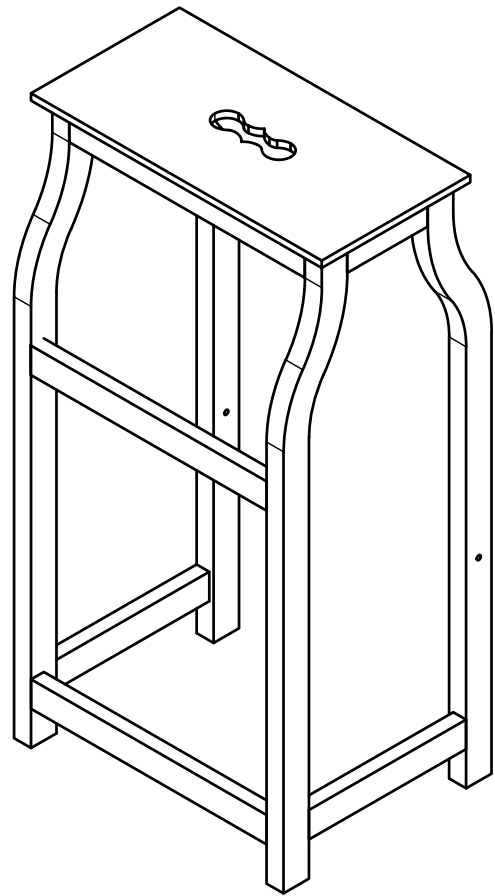
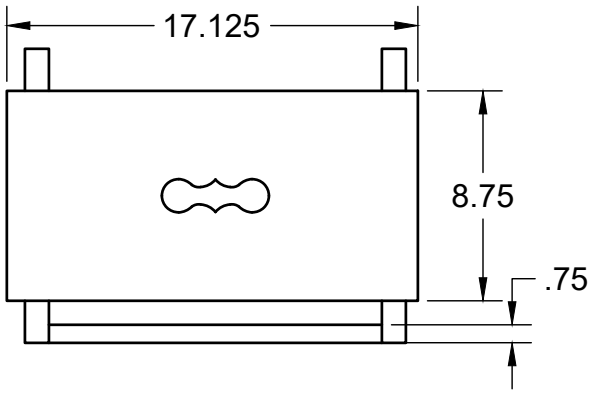
Part #	Part Name	Qty	Thickness	Width	Length	Grain	Comments	Board Feet
1	Ladder Steps	2	0.5	6	13.25	L		1.10
2	Ladder Long Rear Legs	2	0.75	1.5	21	L		0.44
3	Ladder Front and Rear Top Rails	2	0.75	1.5	11.75	L		0.24
4	Ladder Left and Right Top Rails	2	0.75	1.5	2.75	L		0.06
5	Ladder Top to Mid Front Legs	2	0.75	1.5	11	L		0.23
6	Ladder Mid to Bottom Front Legs	2	0.75	1.5	10	L		0.21
7	Ladder Left and Right Mid Rails	2	0.75	1.5	8.25	L		0.17
8	Ladder Front Mid Rails	1	0.75	1.5	11.75	L		0.12
9	Ladder Front and Rear Bottom Rails	2	0.75	1.5	11.75	L		0.24
10	Ladder Left and Right Bottom Rails	2	0.75	1.5	8.25	L		0.17
19								<b>2.99</b>

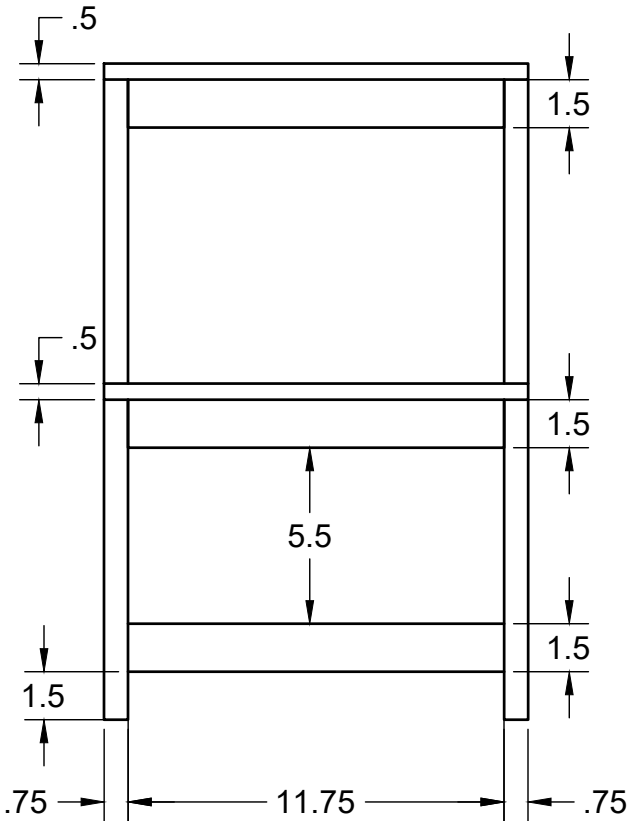
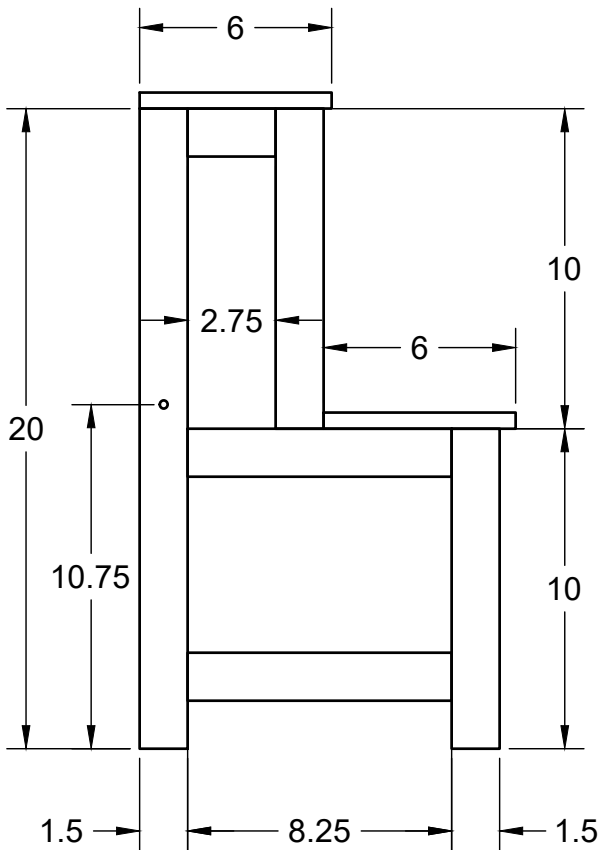
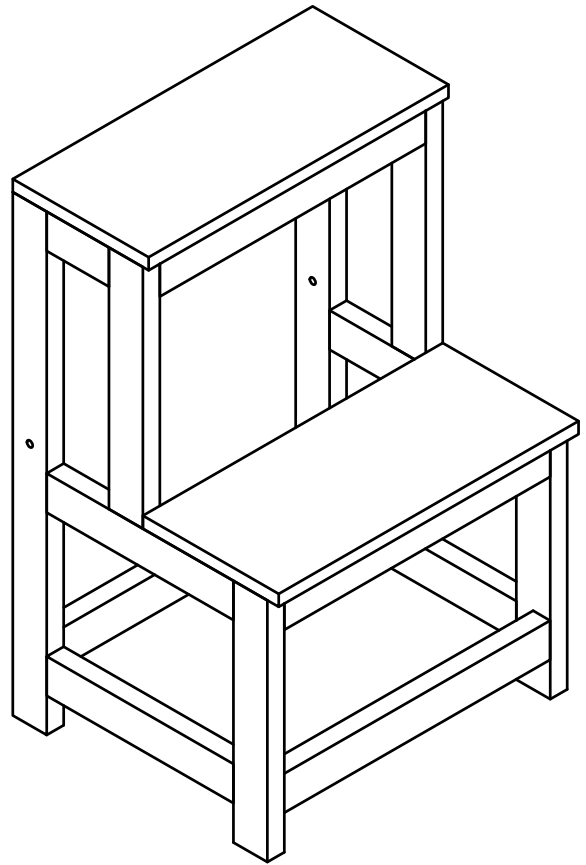
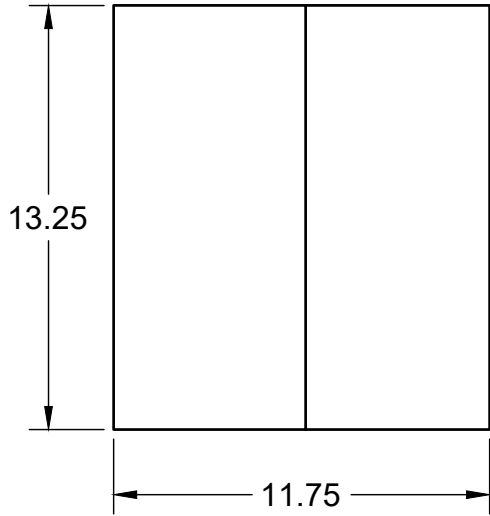
**Total Board Feet**

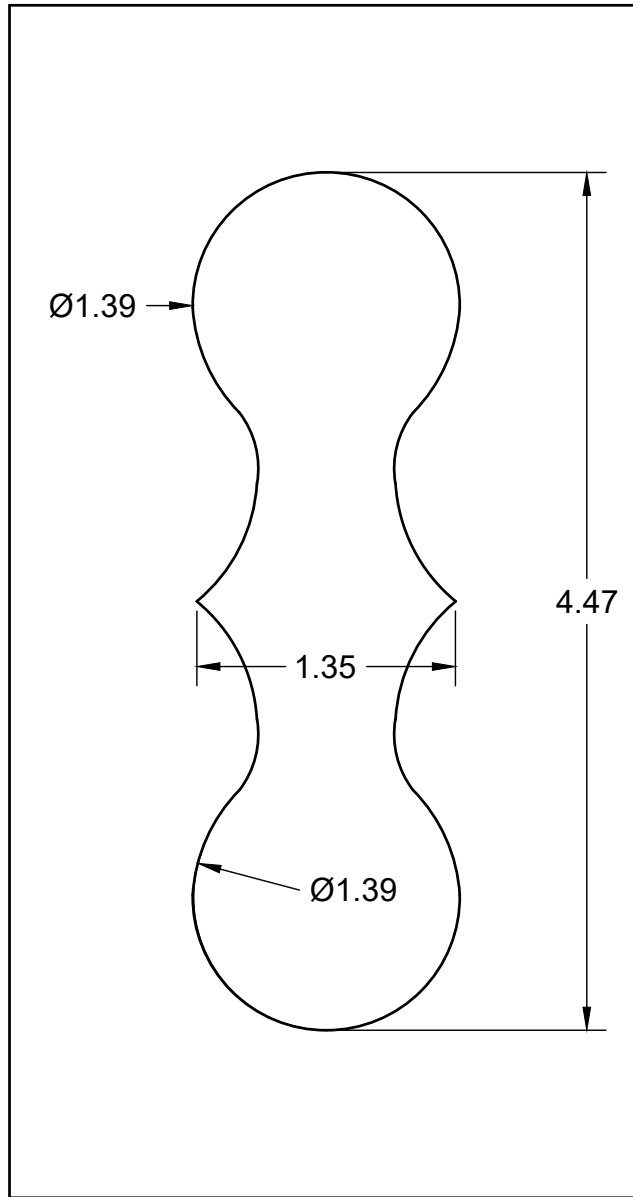
**5.79**

### HARDWARE

Part #	Part Name	Qty						
1	Rockler Black Oxide Cap Nuts	1					Rockler Part # 45467 - Sold in 8 pk	\$4.99/8pk
2	Rockler Black Oxide Cap Bolts 2"	1					Rockler Part # 46707 - Sold in 8 pk	\$4.99/8pk







PROJECT

**Pantry Ladder**

TITLE

**Hays Pantry Ladder -  
Top Cutout Detail**

APPROVED

SIZE

CODE

DWG NO

REV

CHECKED

A

DRAWN

Jim Landry

3/25/2021

SCALE 1:1

WEIGHT

SHEET 1/1

